



By Appointment to
Her Majesty Queen Elizabeth II
Suppliers of Commercial Refrigeration
Foster Refrigerator, King's Lynn

Original Schaltplan

Schockkühler und Schockfroster (Schränke) und Modulare Einfahr Schockkühler/-froster

FC1-11 Touchpad Steuerung

Deutsch



Oct 2013 Version 1



ISO 9001

ISO 14001

A Division of ITW Ltd
Foster Refrigerator Deutschland,
Burdastr. 6
77746 Schutterwald

Call: +49 (0)781 990784 0

Fax: +49 (0)781 9907844

Email: info@foster-de.com

www.fosterrefrigerator.de

Inhalt

Anschlussplan – BCT11/BCFT11 (Integriert)	2
Anschlussplan – BCT11/ BCFT11 (Remote)	3
Anschlussplan – BCT21 (Integriert)	4
Anschlussplan – BCT21/BCFT21 (Remote)	5
Anschlussplan – BCFT21 (Integriert)	6
Anschlussplan – BCT36 13a (Integriert)	7
Anschlussplan – BCT36 (Integriert)	8
Anschlussplan – BCT36/ BCFT51 (Remote)	9
Anschlussplan – BCT51 (Integriert)	10
Anschlussplan – BCFT36/ BCFT51 (Integriert)	11
Anschlussplan – BCFT36/ BCFT51 (Remote)	12
Anschlussplan – BCCFT RI1 (Remote)	13
Anschlussplan – MCBT75/ MBCT100/ MBCT150 (Remote)	14 bis 15
Anschlussplan – MBCFT75/ MBCFT100/ MBCFT150 (Remote)	16 bis 17
Anschlussplan – MBCT250 (Remote)	18 bis 19
Anschlussplan – MBCT250 (Remote)	20 bis 21
Luft- und Verdampfer-Sonde Details / Diagramm	22

Informationen zum Handbuch:

Die Produkte und alle Informationen in diesem Handbuch können ohne vorherige Ankündigung geändert werden. Wir gehen bei den gegebenen Informationen davon aus, dass die Personen, die an diesen Geräten arbeiten, vollständig ausgebildet und erfahren sind. Wir setzen auch voraus, dass sie die entsprechende Sicherheitsausrüstung verwenden und Vorsichtsmaßnahmen ergreifen, wo es erforderlich ist. Dieses Handbuch deckt nicht alle Informationen zu jeder Variation dieses Gerätes ab. Es deckt auch nicht die Installations- oder jede mögliche Betriebs- oder Instandhaltungsanweisung für die Geräte ab.

Allgemeine elektrische Sicherheit

Foster Refrigerator empfiehlt, dass das Gerät über eine Fehlerstromschutzeinrichtung angeschlossen wird, wie beispielsweise eine Steckdose mit Fehlerstromschutzschalter (RCCB) oder einen Fehlerstromschutzschalter mit Überlastschutz (RCBO).

Gesundheits- & Sicherheitswarnungen und -informationen



Stellen Sie sicher, dass vor der Durchführung irgendwelcher elektrischer Reparaturen die Stromversorgung abgeschaltet ist.



Um eine Brand- und Stromschlaggefahr zu minimieren, stecken Sie bitte das Gerät nicht mit nassen Händen ein- oder aus.



Während der Wartung und Reinigung, stecken Sie bitte das Gerät erforderlichenfalls aus.



Vorsicht bei der Handhabung oder bei Arbeiten am Gerät. Scharfe Kanten können Personenschäden verursachen. Wir empfehlen das Tragen geeigneter PPE.



Stellen Sie sicher, dass die korrekten Transport- und Hebeverfahren verwendet werden, wenn ein Gerät transportiert wird.



Verwenden Sie keine abrasiven Reinigungsprodukte, sondern nur diejenigen, die empfohlen werden. Verwenden Sie niemals irgendwelche Scheuermittel an Teilen des Gerätes. Topfreiniger oder Chemikalien können durch das Scheuern Schäden verursachen oder polierte Oberflächen matt werden lassen.



Wenn versäumt wird, den Kondensator sauber zu halten, kann dies einen vorzeitigen Ausfall des Motors/Kompressors bewirken, der NICHT von der Garantie abgedeckt ist.



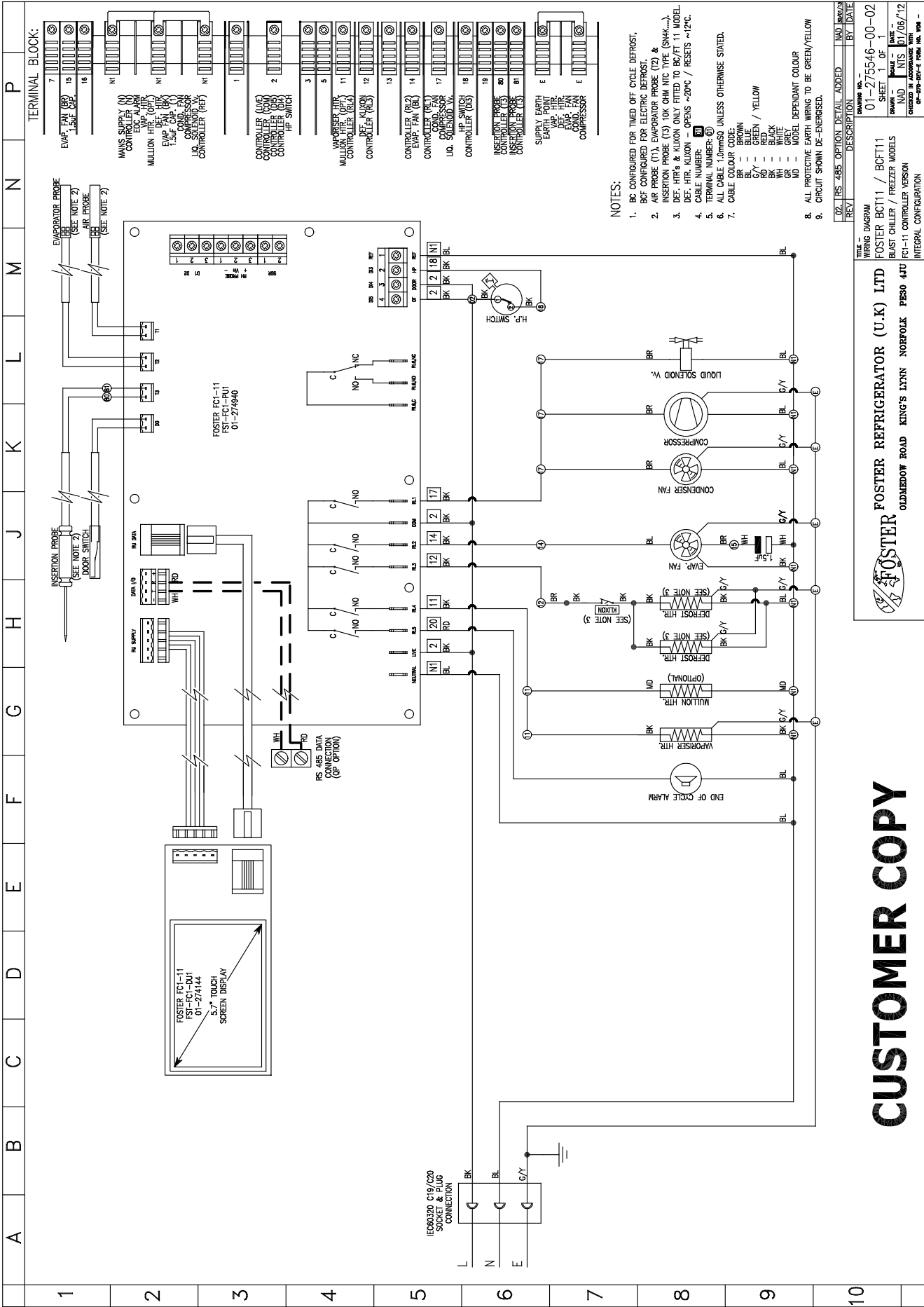
Berühren Sie die kalten Flächen im Gefrierfach NICHT. Insbesondere, wenn die Hände feucht oder nass sind, kann die Haut an diesen extrem kalten Flächen anhaften und eine Erfrierung verursachen.



Stellen Sie bitte die bestimmungsgemäße Verwendung von Sicherheitseinrichtungen oder persönlichen Schutzausrüstungen (PPE) sicher, die für Ihre eigene Sicherheit verwendet werden.

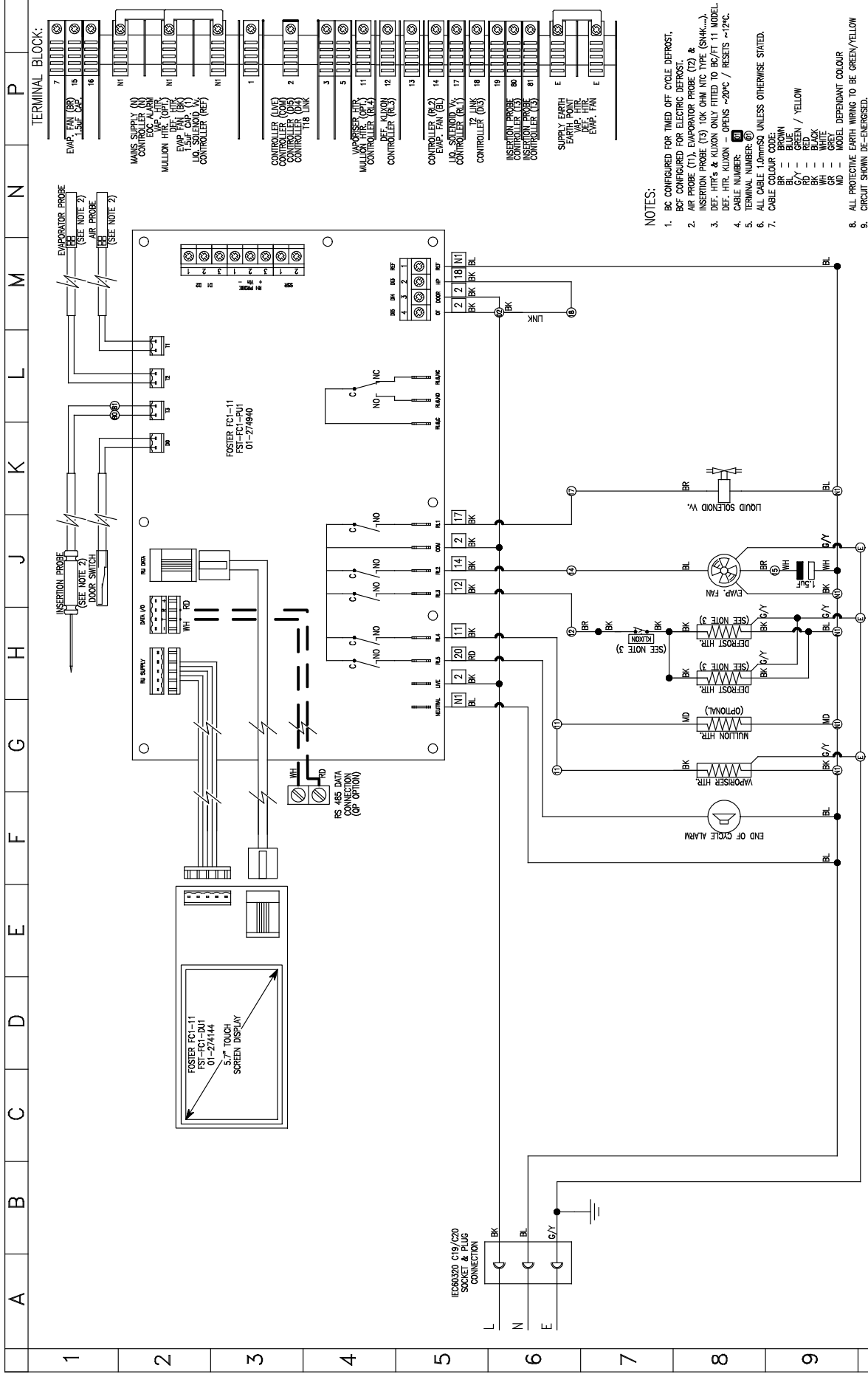


Anschlussplan – BCT11 & BCFT11 (Integriert)



CUSTOMER COPY

Anschlussplan – BCT11/ BCFT11 (Remote)



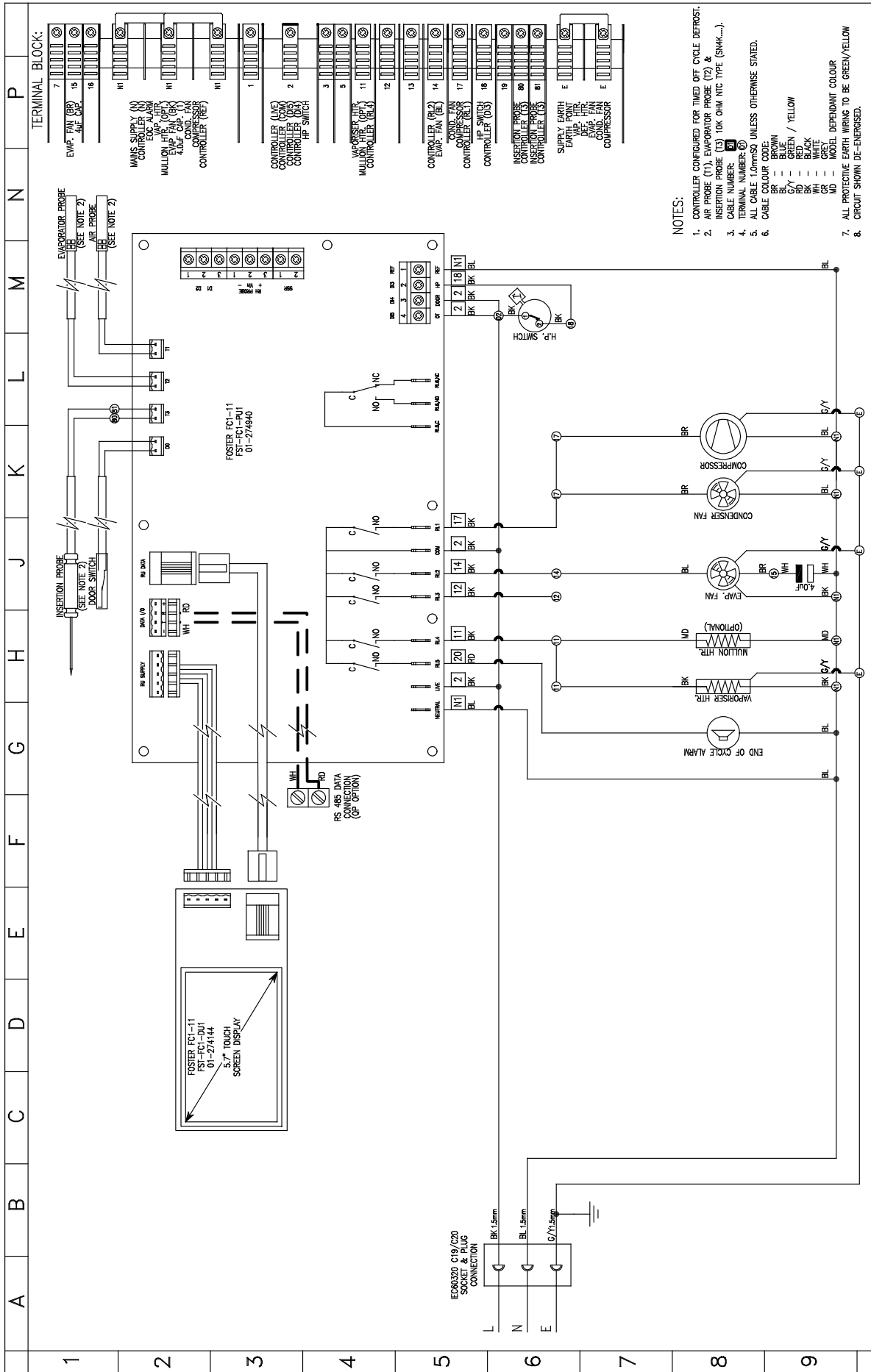
- NOTES:
- BC CONFIGURED FOR TIMED OFF CYCLE DEFROST.
 - BCF CONFIGURED FOR ELECTRIC DEFROST.
 - INSERTION PROBE (T3) 10K OHM NTC TYPE (SHK...).
 - DEF. HTR'S & KLUXON ONLY FITTED TO BC/FT 11 MODEL.
 - CABLE NUMBER: 01
 - TERMINAL NUMBER: 01
 - ALL CABLE 1.0mmSQ UNLESS OTHERWISE STATED.
- CABLE COLOUR CODE:
- BR = BROWN
 - BL = BLUE
 - G/Y = GREEN / YELLOW
 - RD = RED
 - WH = WHITE
 - CR = GREY
 - MD = MODEL DEPENDANT COLOUR
- ALL PROTECTIVE EARTH WIRING TO BE GREEN/YELLOW
 - CIRCUIT SHOWN DE-ENERGISED.

REV	DESCRIPTION	NO	DATE
02	RS-485 OPTION	ADD	

TRAIL	NO	DATE
01	RS-485 OPTION	

WIRING DIAGRAM
FOSTER REFRIGERATOR (U.K) LTD
 BCT11 / BCFT11
 BLAST CHILLER / FREEZER MODELS
 FOSTER
 OLDMEADOW ROAD KING'S LYNN NORFOLK PE30 4JU
 REMOTE CONFIGURATION

CUSTOMER COPY



- NOTES:**
1. CONTROLLER CONFIGURED FOR TIMED OFF CYCLE DEFROST.
 2. AIR PROBE (1), EVAPORATOR PROBE (12) & INSERTION PROBE (2) FOR OMI TIC TYPE (SHAK....).
 3. CABLE NUMBER (2) FOR OMI TIC TYPE (SHAK....).
 4. TERMINAL NUMBER (2).
 5. ALL CABLE 1.0mm² UNLESS OTHERWISE STATED.
 6. CABLE COLOUR CODE:
 BK --- BROWN
 BL --- BLUE
 BR --- BROWN / YELLOW
 G/Y --- GREEN / YELLOW
 BK --- BLACK
 WH --- WHITE
 MD --- MODEL DEPENDANT COLOUR
 E --- ALL PROTECTIVE EARTH WIRING TO BE GREEN/YELLOW
 7. ALL PROTECTIVE EARTH WIRING TO BE GREEN/YELLOW
 8. CIRCUIT SHOWN DE-ENERGISED.

REV	RS-485 OPTION DETAIL ADDED	NO	DATE
01		01-27/5548-00-02	

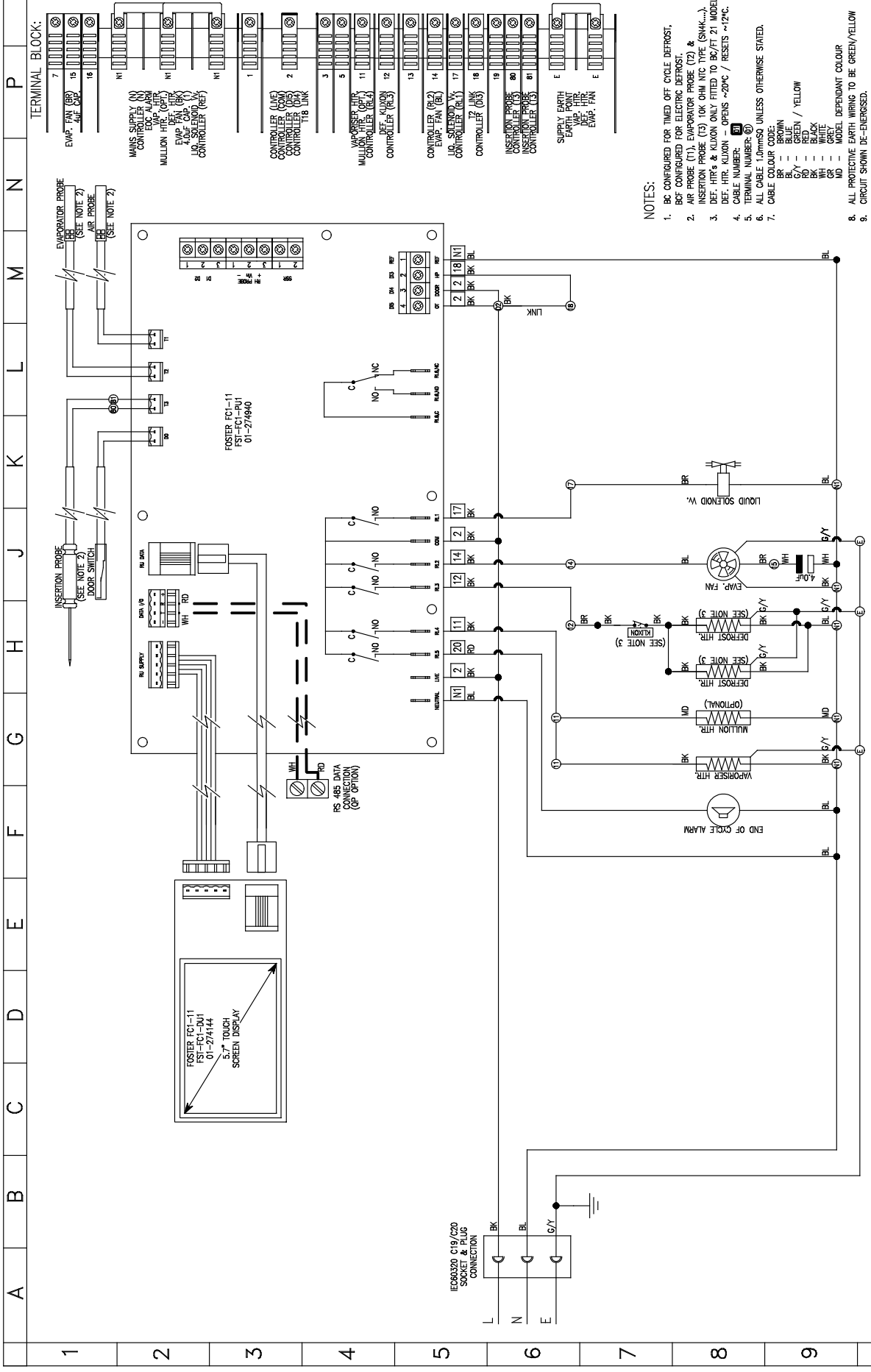
WIRING DIAGRAM
 FOSTER BCT21
 BLAST CHILLER MODEL
 FCI-11 CONTROLLER VERSION
 INTEGRAL CONFIGURATION

FOSTER
 FOSTER REFRIGERATOR (U.K) LTD
 KING'S LYNN NORFOLK PE30 4JU
 OLDMEADOW ROAD

CUSTOMER COPY

D

Anschlussplan – BCT21/ BCFT21 (Remote)





TERMINAL BLOCK:

7	EVAP. FAN (FR)
15	EVAP. FAN (OP)
16	EVAP. FAN (REF)
N1	MAIN SUPPLY (N)
N2	CONTROL (COM)
N3	EVAP. HTR (OP)
N4	MULSION HTR (OP)
N5	EVAP. FAN (BK)
N6	4.0µF CAP. (C)
N7	CONTROL (REF)
1	CONTROL (LINE)
2	CONTROL (COM)
3	CONTROL (OP)
4	CONTROL (TS LINK)
5	VAPORISER HTR (OP)
11	MULSION HTR (OP)
12	CONTROL (NCS)
13	CONTROL (R2)
14	CONTROL (R1)
15	LINK (R2)
17	LINK (R1)
18	CONTROL (R1)
19	CONTROL (R2)
20	CONTROL (R3)
21	CONTROL (R4)
22	CONTROL (R5)
23	CONTROL (R6)
24	CONTROL (R7)
25	CONTROL (R8)
26	CONTROL (R9)
27	CONTROL (R10)
28	CONTROL (R11)
29	CONTROL (R12)
30	CONTROL (R13)
31	CONTROL (R14)
32	CONTROL (R15)
E	SUPPLY EARTH
BR	EVAP. HTR
DEF	HTR
EVAP	FAN
F	

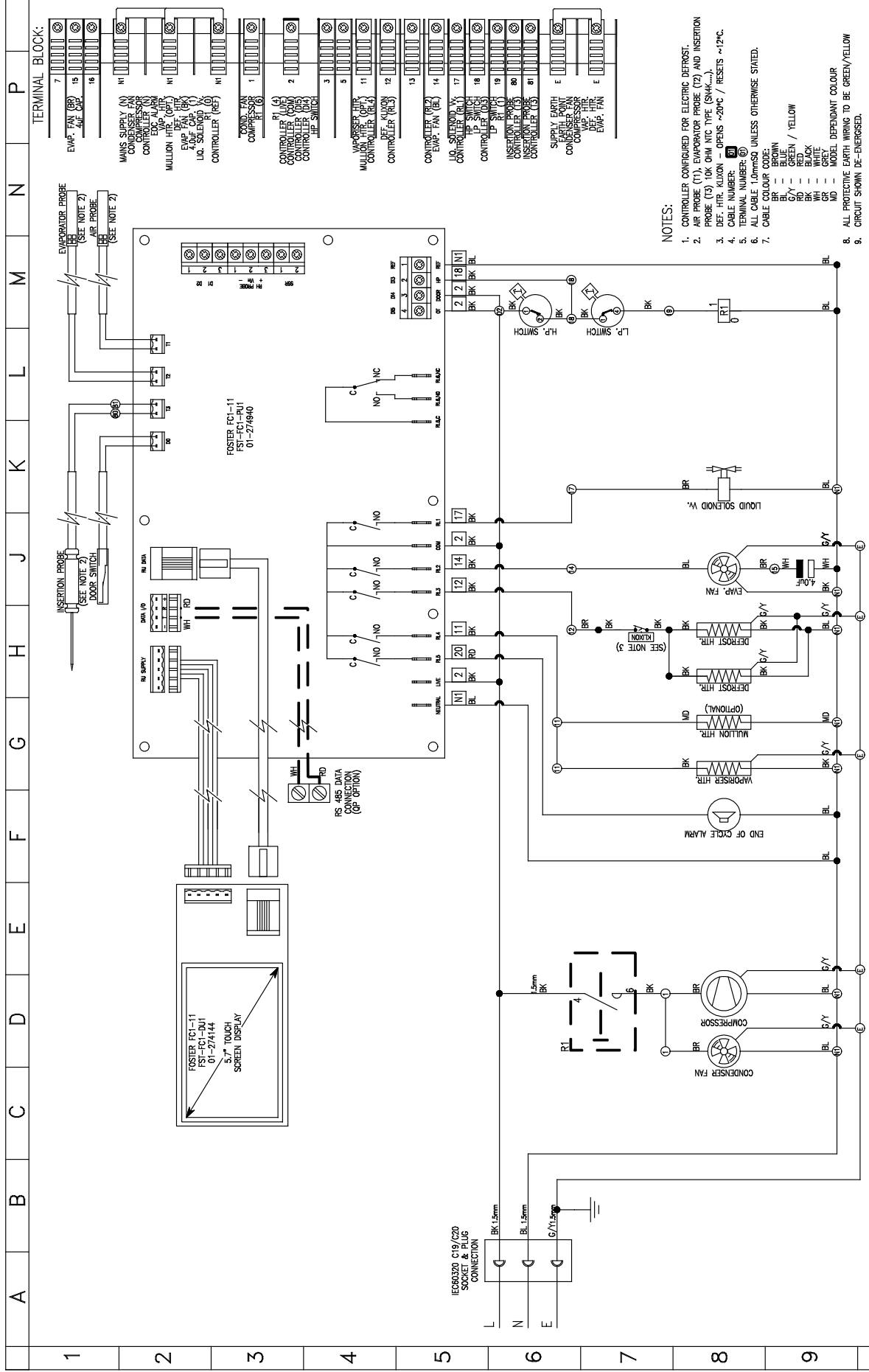
NOTES:

- BC CONFIGURED FOR TIMED OFF CYCLE DEFFROST.
- BCF CONFIGURED FOR ELECTRIC DEFFROST.
- AR PROBE (T1), EVAPORATOR PROBE (T2) & INSERTION PROBE (T3) 10K OHM NTC TYPE (SNAK,....).
- DEF. HTR'S & KLIXON - OPENS ~20°C / RESETS ~12°C.
- CABLE NUMBER: 31
- TERMINAL NUMBER: 21
- ALL CABLE 1.0mm² UNLESS OTHERWISE STATED.
- CABLE COLOUR CODE:
BR - BROWN
C/Y - GREEN / YELLOW
RD - RED
BK - BLACK
WH - WHITE
GR - GREY
MD - MODEL DEFENDANT COLOUR
- ALL PROTECTIVE EARTH WIRING TO BE GREEN/YELLOW
- CIRCUIT SHOWN DE-ENERGISED.

02	RS 485 OPTION DETAIL ADDED	MD	MD/20	BY	DATE
FOSTER REFRIGERATOR (U.K) LTD KING'S LYNN NORFOLK PE30 4TU OLDMEADOW ROAD 					
WIRING DIAGRAM FOSTER BCT21 / BCFT21 BLAST CHILLER / FREEZER MODELS FC1-11 CONTROLLER VERSION REMOTE CONFIGURATION					
SHEET NO. 01-27/5549-00-02 DATE 01/06/12 CHECKED IN ACCORDANCE WITH 01-075-012-5 FROM MS. V04 -					

CUSTOMER COPY

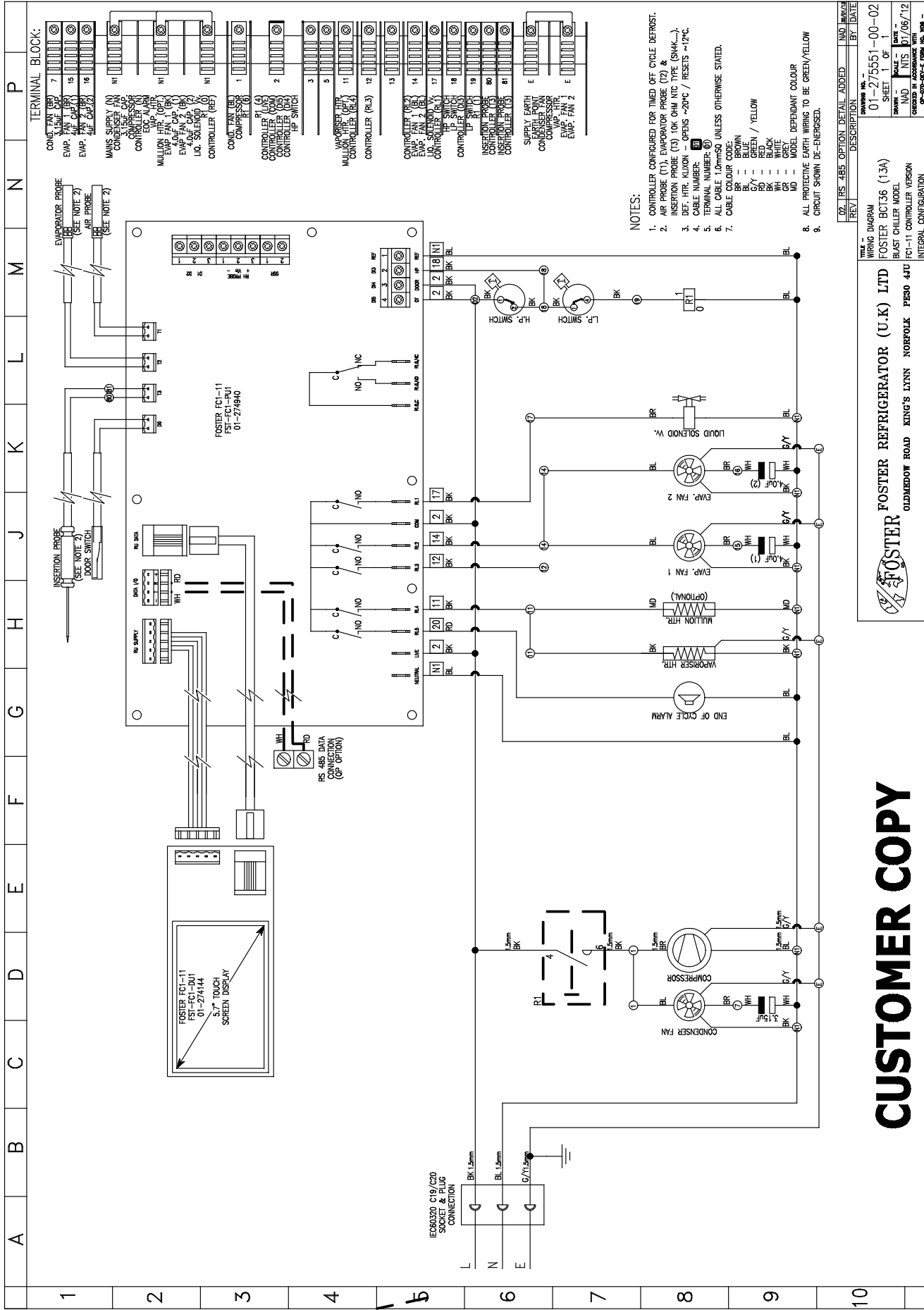
5



- NOTES:**
1. CONTROLLER CONFIGURED FOR ELECTRIC DEFROST.
 2. AIR PROBE (T1), EVAPORATOR PROBE (T2) AND INSERTION PROBE (T3) 10K OHM NTC TYPE (SHK...).
 3. DEF. HTR. ALKON - OPENS ~20°C / RESETS ~12°C.
 4. CABLE NUMBER: 6
 5. TERMINAL NUMBER: 6
 6. ALL CABLE 1.0mm² UNLESS OTHERWISE STATED.
 7. CABLE COLOUR CODE:
BR - BROWN
GY - GREEN / YELLOW
RD - RED
BK - BLACK
WH - WHITE
GR - GREY
MD - MODEL DEPENDANT COLOUR
 8. ALL PROTECTIVE EARTH WIRING TO BE GREEN/YELLOW
 9. CIRCUIT SHOWN DE-ENERGISED.

REV. 1	RS 485 OPTION DETAIL ADDED	MD	BR/AS
REV. 2	DESCRIPTION	BY	DATE
DRAWING NO. - 01-275550-00-02			
SHEET 1 OF 1			
DRAWN - NAD			
CHECKED BY - NAD			
DATE - 01/06/12			
CREATED IN ACCORDANCE WITH - 01-00-001-4 FORM REV. 1			
<p>WIRING DIAGRAM FOSTER BCFT21 BLAST CHILLER / FREEZER MODEL FC1-11 CONTROLLER VERSION INTEGRAL CONFIGURATION</p>			
<p>FOSTER OLDMEDOW ROAD KING'S LYNN NORFOLK PE30 4JU</p>			
<p>FOSTER REFRIGERATOR (U.K.) LTD</p>			

CUSTOMER COPY



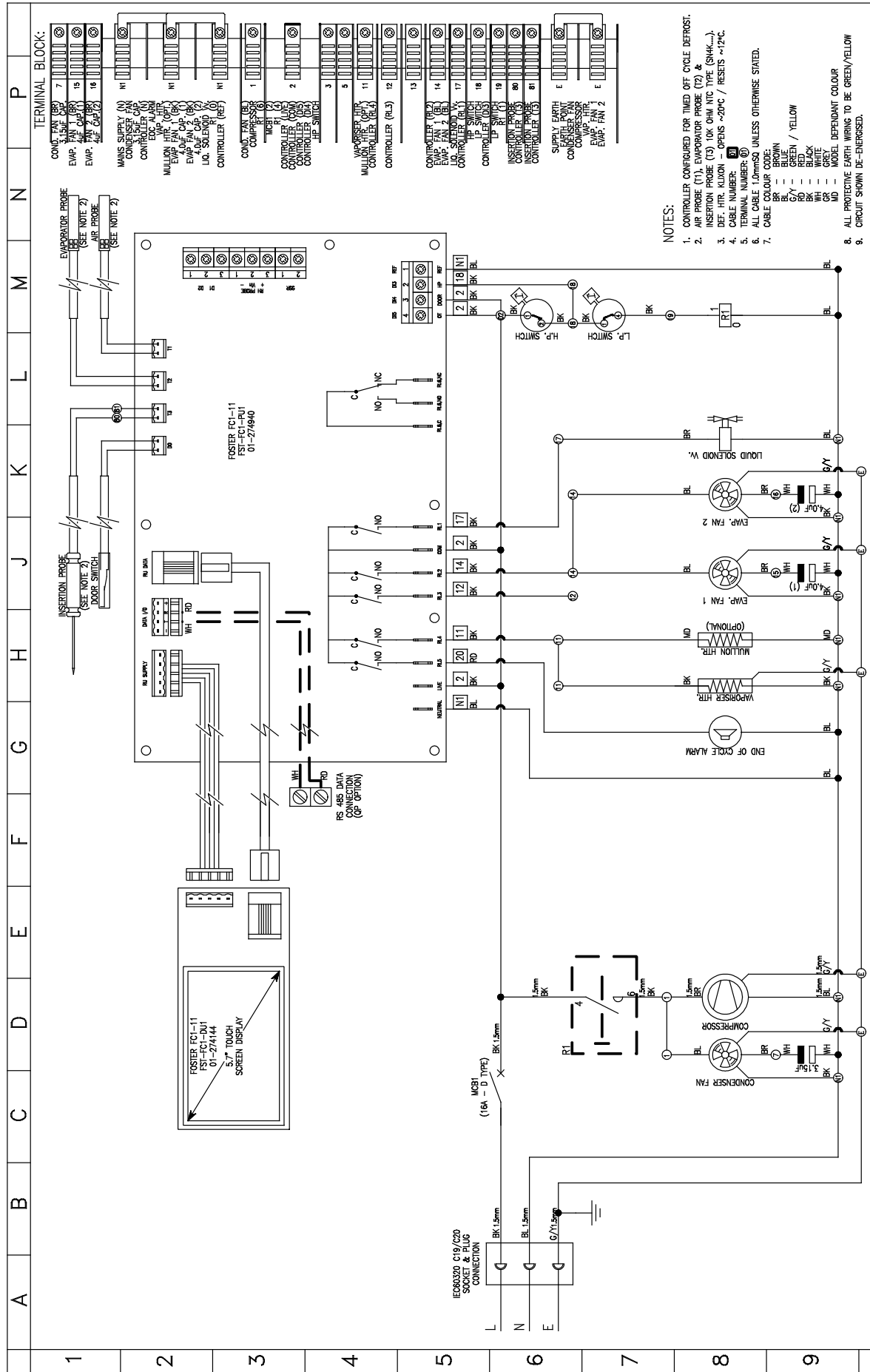
- NOTES:
1. CONTROLLER CONFIGURED FOR TIMED OFF CYCLE DEFROST.
 2. AIR PROBE (T1), EVAPORATOR PROBE (T2) & INSERTION PROBE (T3) 10K OHM NTC TYPE (SMAK...).
 3. DEF. HTR. Klixon - OPENS ~20°C / RESETS ~12°C.
 4. CABLE NUMBER: 01
 5. TERMINAL NUMBER: 01
 6. ALL CABLE 1.0mmSQ UNLESS OTHERWISE STATED.
 7. CABLE COLOUR CODE:
 BK - BROWN
 GRN - GREEN
 RD - RED
 WH - WHITE
 BK/WH - BLACK
 GR - GREY
 MD - MODEL DEPENDANT COLOUR
 8. ALL PROTECTIVE EARTH WIRING TO BE GREEN/YELLOW
 9. CIRCUIT SHOWN DC-ENERGISED.

02	RS 485 OPTION DETAIL ADDED	1	MD	06/04
REV	DESCRIPTION	BY	DATE	

TITLE -
 WIRING DIAGRAM
 FOSTER BCT36 (13a)
 BLAST CHILLER MODEL
 FOSTER FC1-11 CONTROLLER VERSION
 INTEGRAL CONFIGURATION

FOSTER
 OLDMEADOW ROAD KING'S LYNN NORFOLK PE30 4JU

CUSTOMER COPY



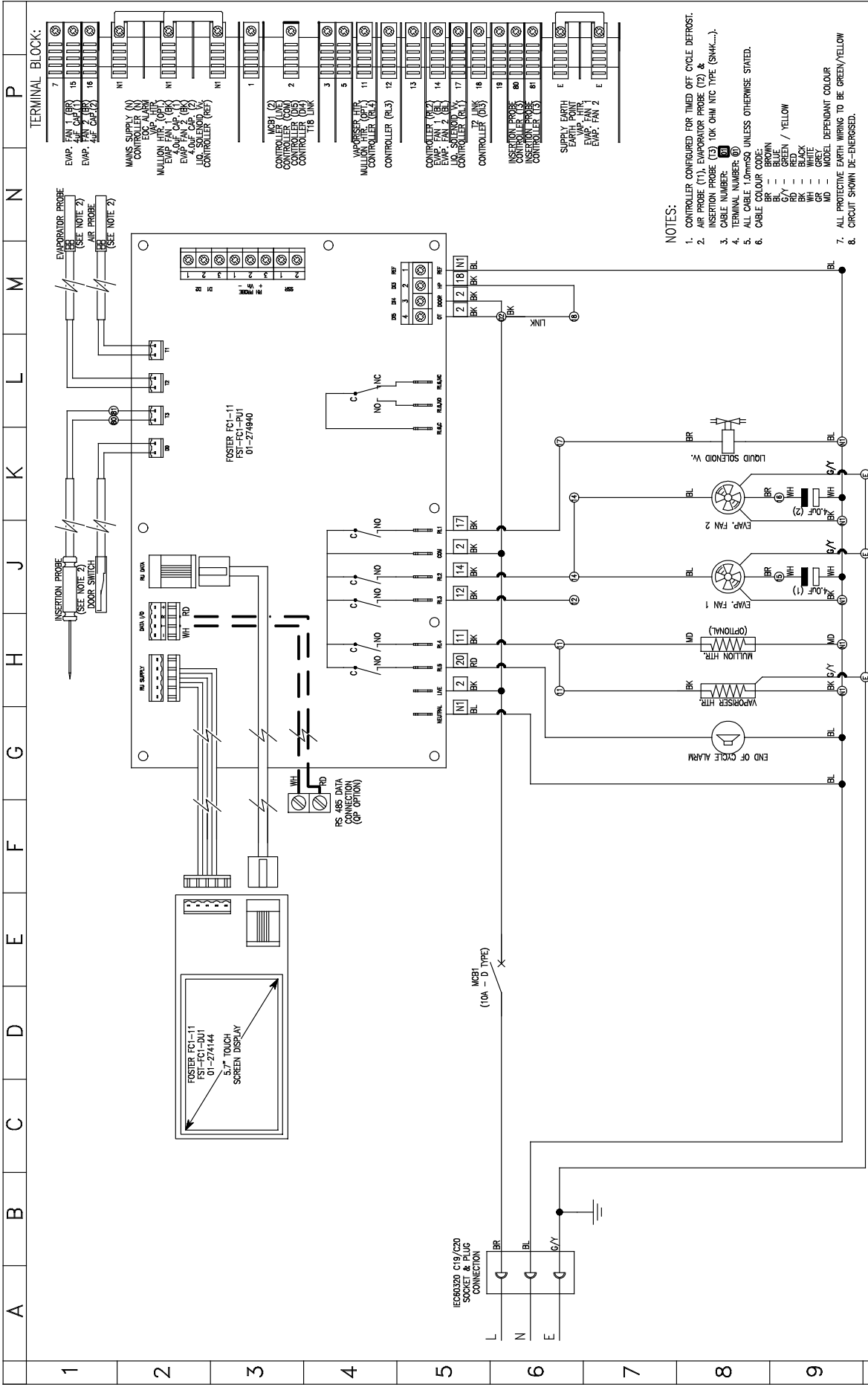
REV	DESCRIPTION	ADD. DRAWING NO.	BY	DATE
02	RS 485 OPTION DETAIL ADDED			

TITLE	WIRING DIAGRAM
FOSTER BCT36	
BLAST CHILLER MODEL	
FC-11 CONTROLLER VERSION	
INTEGRAL CONFIGURATION	

FOSTER
 OLDMEADOW ROAD KING'S LYNN NORFOLK PE30 4JT

CUSTOMER COPY

- NOTES:
1. CONTROLLER CONFIGURED FOR TIMED OFF CYCLE DEFROST.
 2. AIR PROBE (T1), EVAPORATOR PROBE (T2) & INSERTION PROBE (T3) 10K OHM NTC TYPE (SMAK...)
 3. DEF. HTR. KILOXON - OPENS ~20°C / RESETS ~12°C.
 4. CABLE NUMBERS (6)
 5. TERMINAL NUMBERS (6)
 6. ALL CABLE 1.0mm² UNLESS OTHERWISE STATED.
 7. CABLE COLOUR CODE:
 BR - BROWN
 GY - GREEN / YELLOW
 RD - RED
 BK - BLACK
 WH - WHITE
 GR - GREY
 MD - MODEL DEPENDANT COLOUR
 8. ALL PROTECTIVE EARTH WIRING TO BE GREEN/YELLOW
 9. CIRCUIT SHOWN DE-ENERGISED.



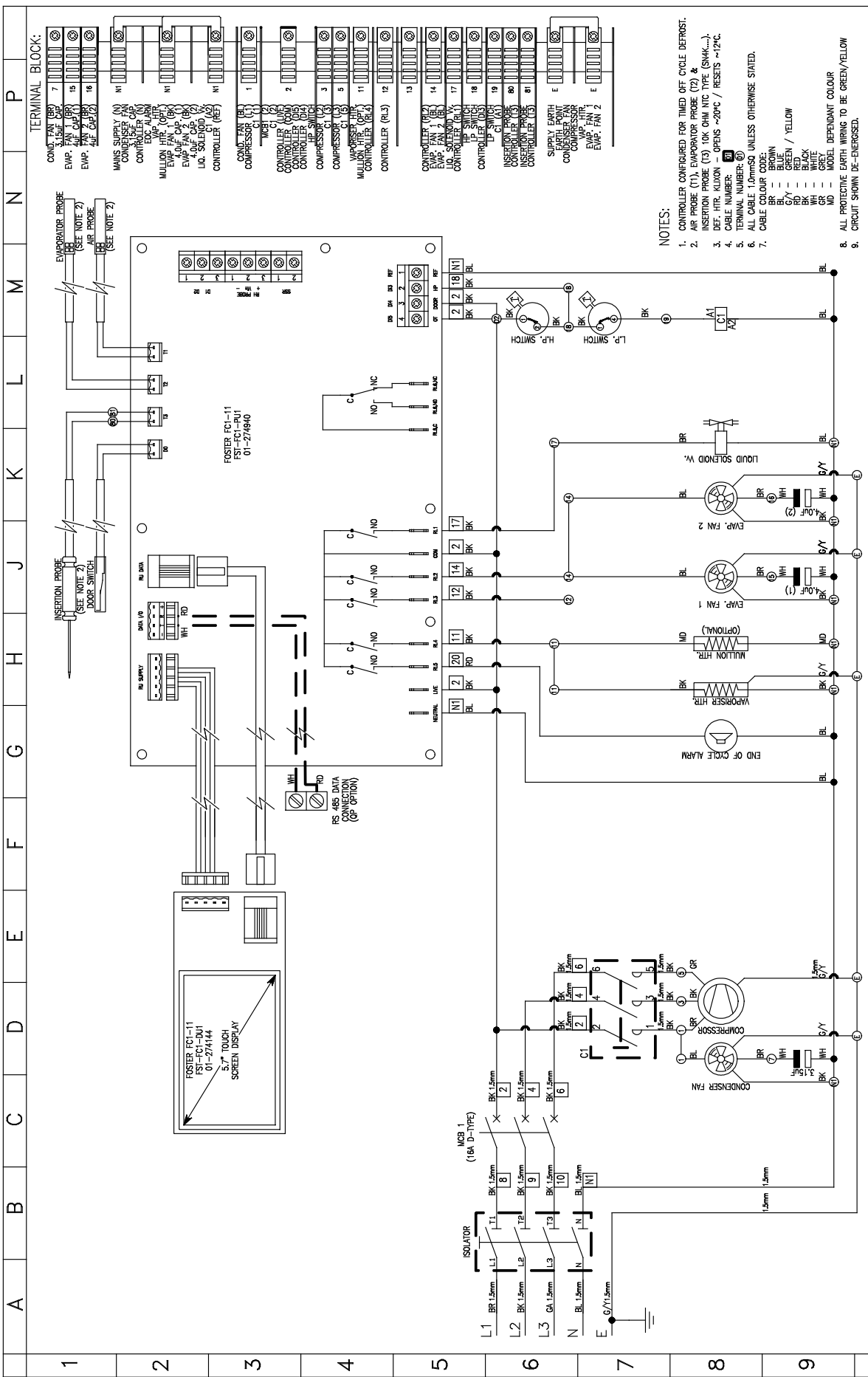
- NOTES:**
1. CONTROLLER CONFIGURED FOR TIMED OFF CYCLE DEFROST.
 2. AIR PROBE (T1), EVAPORATOR PROBE (T2) & INSERTION PROBE (T3) 10K OHM NTC TYPE (SMAK...).
 3. CABLE NUMBER: 60
 4. TERMINAL NUMBER: 60
 5. ALL CABLE 1.0mm² UNLESS OTHERWISE STATED.
 6. CABLE COLOUR CODE:
 BR - BROWN
 BL - BLUE
 BK - BLACK
 BK - RED
 WH - WHITE
 GR - GREY
 MD - MODEL DEPENDANT COLOUR
 G/Y - GREEN/YELLOW
 7. ALL PROTECTIVE EARTH WIRING TO BE GREEN/YELLOW
 8. CIRCUIT SHOWN DE-ENERGISED.

REV	DESCRIPTION	NO	DATE
02	RS-485 OPTION DETAIL ADDED		

TITLE	DRAWING NO.
WIRING DIAGRAM	01-275553-00-02
FOSTER REFRIGERATOR (U.K) LTD	SHEET 1 OF 1
BLAST CHILLER MODELS	DATE 01/08/12
FCI-11 CONTROLLER VERSION	NOV NTS
REMOTE CONFIGURATION	CHECKED BY APPROVED WITH
	01-275553-00-02

CUSTOMER COPY

FOSTER REFRIGERATOR (U.K) LTD
 OLDMEADOW ROAD KING'S LYNN NORFOLK PE30 4JU



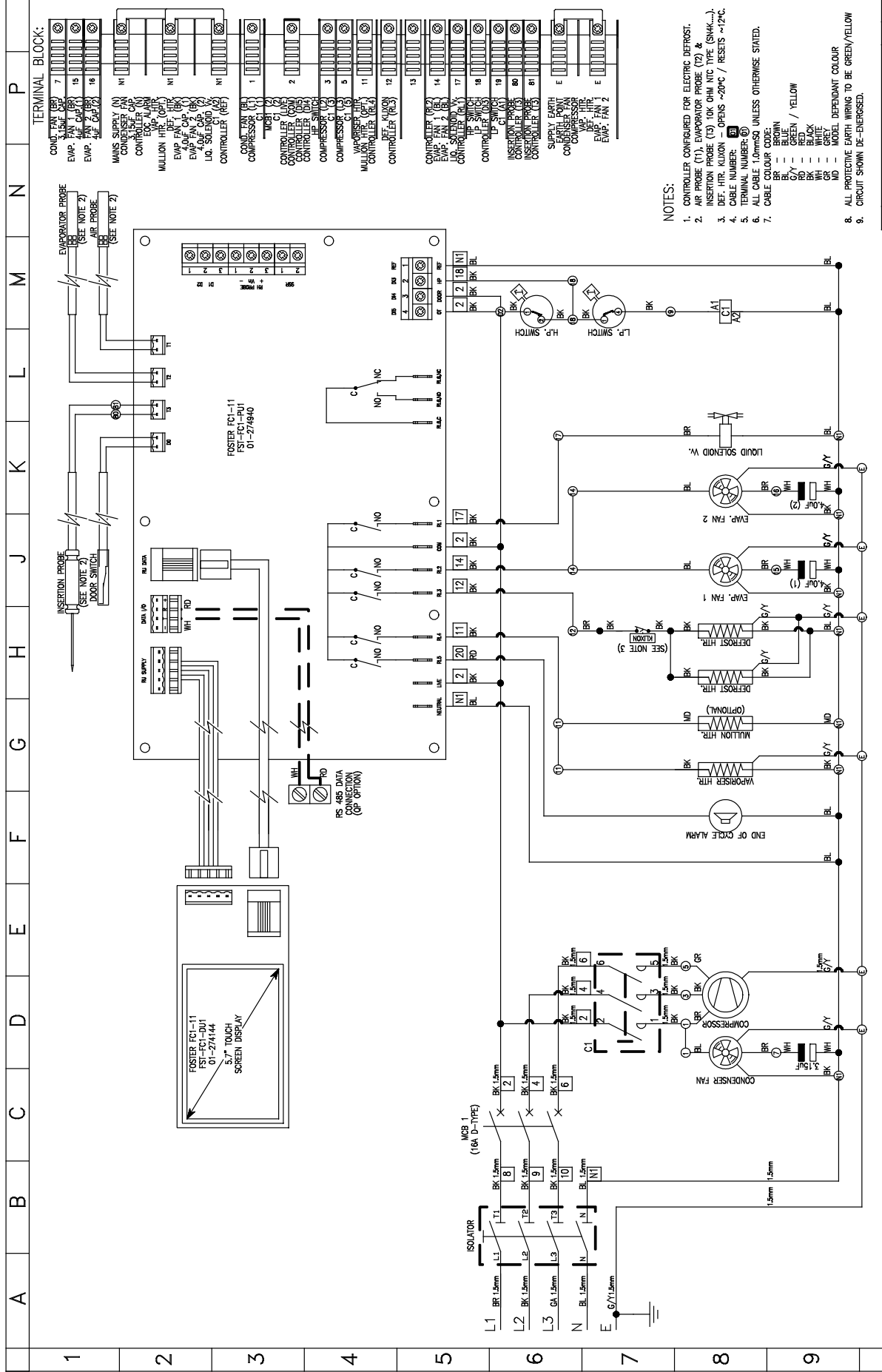
- NOTES:
1. CONTROLLER CONFIGURED FOR TIMED OFF CYCLE DEFROST.
 2. AIR PROBE (T1), EVAPORATOR PROBE (T2) & INSERTION PROBE (T3) 1.0K OHM NTC TYPE (SMAK...).
 3. DEF. HTR. KLUXON - OPENS ~20°C / RESETS ~12°C.
 4. CABLE NUMBER: 03
 5. TERMINAL NUMBER: 03
 6. ALL CABLE 1.0mmSQ UNLESS OTHERWISE STATED.
 7. CABLE COLOUR CODE:
BR - BROWN
BK - BLACK
GY - GREEN / YELLOW
RD - RED
WH - WHITE
GR - GREY
MD - MODEL DEPENDANT COLOUR
 8. ALL PROTECTIVE EARTH WIRING TO BE GREEN/YELLOW
 9. CIRCUIT SHOWN DE-ENERGISED.

REV	DESCRIPTION	NO	DATE
02	RS 485 OPTION DETAIL ADDED	1	07/08/12

TITLE	DRAWING NO.
WIRING DIAGRAM	01-275554-00-02
FOSTER REFRIGERATOR (U.K) LTD	SHEET 1 OF 1
BLAST CHILLER MODEL	SCALE
OLDMEDOW ROAD KING'S LYNN NORFOLK PE30 4JU	DRAWN
INTEGRAL CONFIGURATION	DATE
	07/08/12
	REVISED
	BY
	DATE
	07/08/12
	BY
	DATE
	07/08/12

CUSTOMER COPY





- NOTES:**
1. CONTROLLER CONFIGURED FOR ELECTRIC DEFROST.
 2. AIR PROBE (T1), EVAPORATOR PROBE (T2) & INSERTION PROBE (T3) 10K OHM NTC TYPE (5WAK-1).
 3. DEF. HTR. KUXON – OPENS -20°C / RESETS +12°C.
 4. CABLE NUMBER: 00
 5. TERMINAL NUMBER: 00
 6. ALL CABLE 1.0mm² UNLESS OTHERWISE STATED.
 7. CABLE COLOUR CODE:
BR – BROWN
BL – BLUE
BK – BLACK
RD – RED
WH – WHITE / YELLOW
 8. ALL PROTECTIVE EARTH WIRING TO BE GREEN/YELLOW
 9. CIRCUIT SHOWN DE-ENERGISED.

REV	RS 485 OPTION DETAIL ADDED	IMD DRAWN	BY	DATE
02				

WIRING NO.	DESCRIPTION
01-275555-00-02	

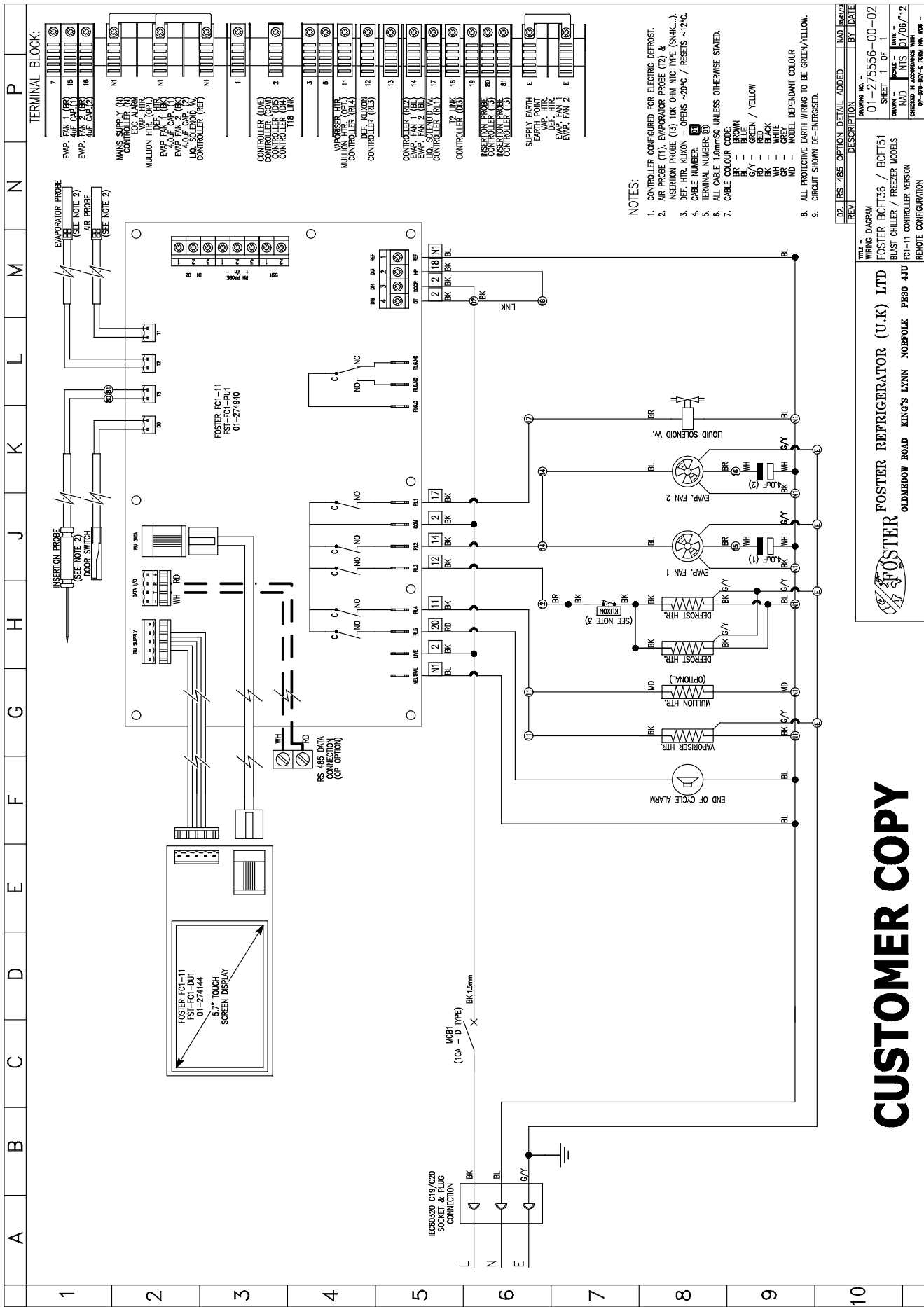
DRAWN	SHEET	OF	DATE
01-275555-00-02	1	1	07/06/12

CREATED IN ACCORDANCE WITH	OFF-PRO-001-E FORM NO. 006
FOSTER REFRIGERATOR (U.K) LTD	

MODEL	DESCRIPTION
FOSTER BCF136 / BCF151	
BLAST CHILLER / FREEZER MODELS	
FCI-11 CONTROLLER VERSION	
INTEGRAL CONFIGURATION	

CUSTOMER COPY

FOSTER REFRIGERATOR (U.K) LTD
 OLDMEADOW ROAD KING'S LYNN NORFOLK PE30 4JU



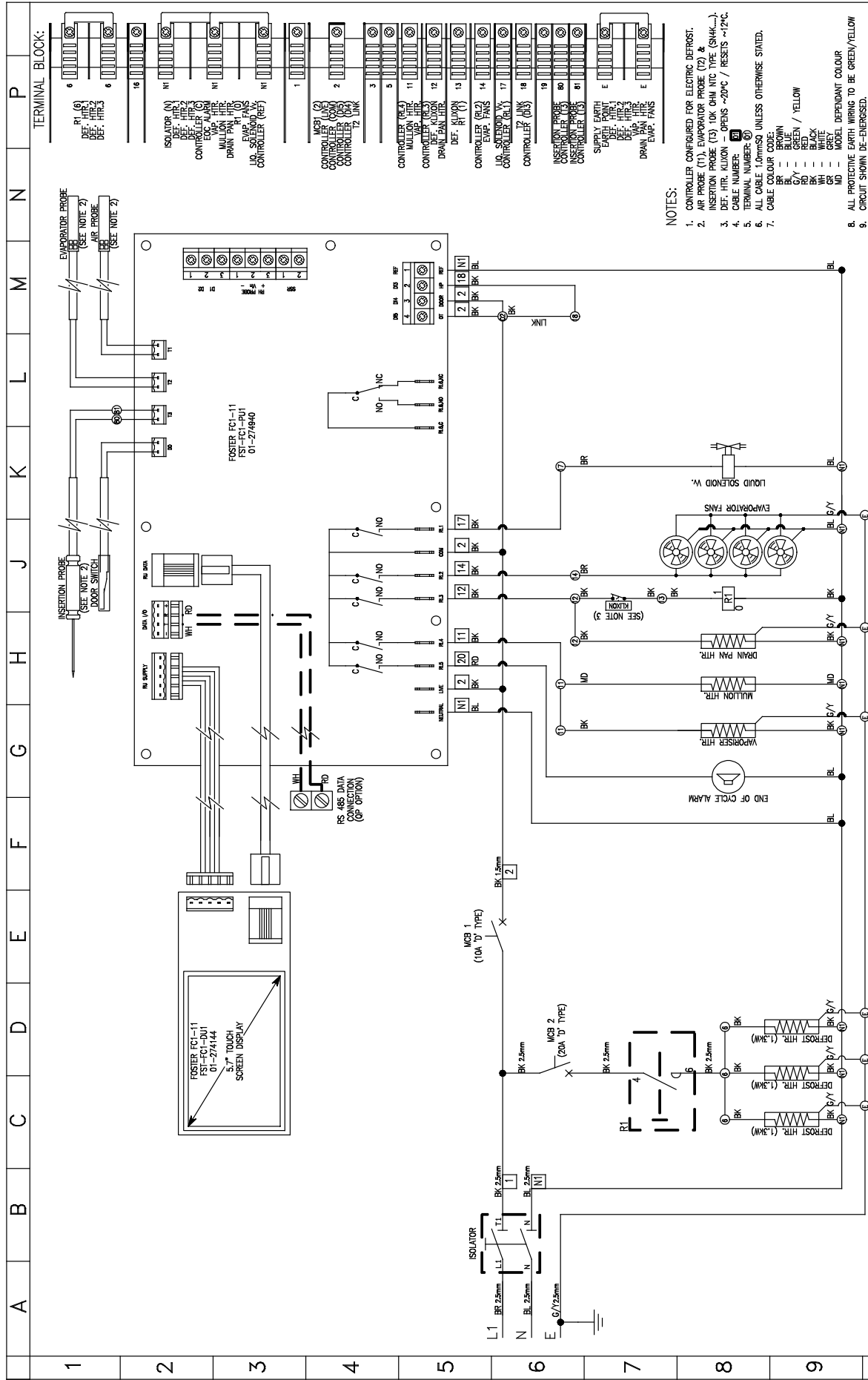
CUSTOMER COPY

FOSTER REFRIGERATOR (U.K) LTD
 OLDMEDOW ROAD KING'S LYNN NORFOLK PE30 4TU

REV	DESCRIPTION	MD	DATE
02	RS-485 OPTION DETAIL ADDED	MD	10/06/12

WIRING DIAGRAM	01-275556-00-02
FOSTER BCF136 / BCF151	SHEET 1 OF 1
BLAST CHILLER / FREEZER MODELS	DATE -
FCI-11 CONTROLLER VERSION	SCALE
REMOTE CONFIGURATION	MD
	INTS
	01/06/12
	CREATED IN ACCORDANCE WITH
	EN-60959-2:2006 FORM NO. 001 -

Anschlussplan – BCCFT R11 (Remote)



- NOTES:
1. CONTROLLER CONFIGURED FOR ELECTRIC DEFROST.
 2. AIR PROBE (T1), EMPOVAPOR PROBE (T2) & INSERTION PROBE (T3) 10K OHM NTC TYPE (SHAK...)
 3. DEF. HTR. KILXON - OPENS ~20°C / RESETS ~12°C.
 4. CABLE NUMBER: 6
 5. TERMINAL NUMBER: 6
 6. ALL CABLE 1.0mm² UNLESS OTHERWISE STATED.
 7. CABLE COLOUR CODE:
BR - BROWN
E/Y - GREEN / YELLOW
RD - RED
BK - BLACK
WH - WHITE
GR - GREY
MD - MODEL DEPENDANT COLOUR
 8. ALL PROTECTIVE EARTH WIRING TO BE GREEN/YELLOW
 9. CIRCUIT SHOWN DE-ENERGISED.

REV	DESCRIPTION	BY	DATE
01	RS 485 OPTION DETAIL	MD	18/04/14

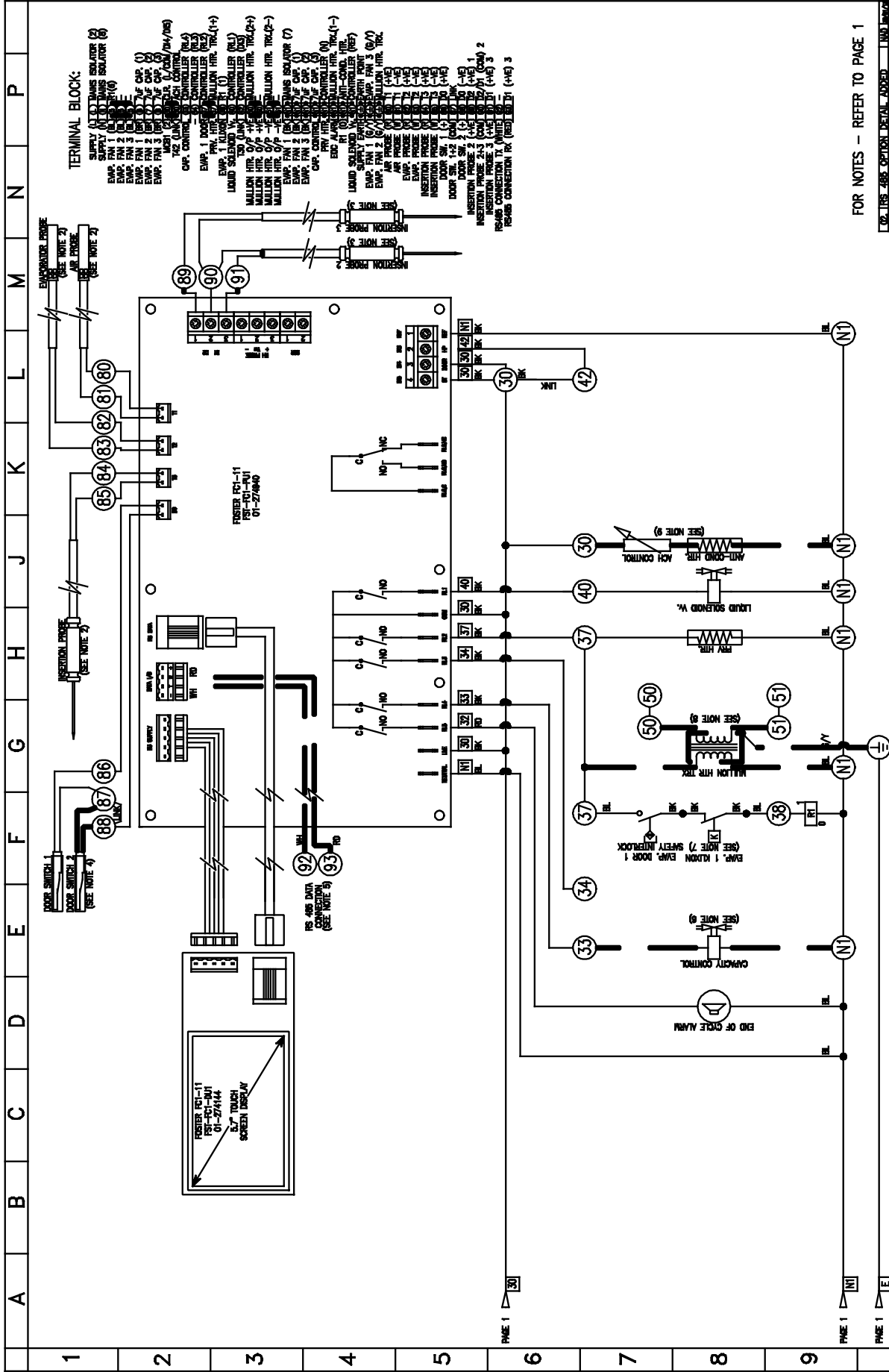
WIRING DIAGRAM	NO.
FOSTER BCCFT R11	01-275557-00-02
BLAST CHILLER / FREEZER MODELS	SHEET 1 OF 1
FCI-11 CONTROLLER VERSION	DATE
REMOTE CONFIGURATION	01/06/12

REV	DESCRIPTION	BY	DATE
01	RS 485 OPTION DETAIL	MD	18/04/14

CUSTOMER COPY

FOSTER REFRIGERATOR (U.K.) LTD
 OLDMEADOW ROAD KING'S LYNN NORFOLK PE30 4JU

FOSTER
 KING'S LYNN NORFOLK PE30 4JU



FOR NOTES -- REFER TO PAGE 1

REV	DESCRIPTION	DATE
01	ISS	2008-03-11
02	REV	2008-03-11

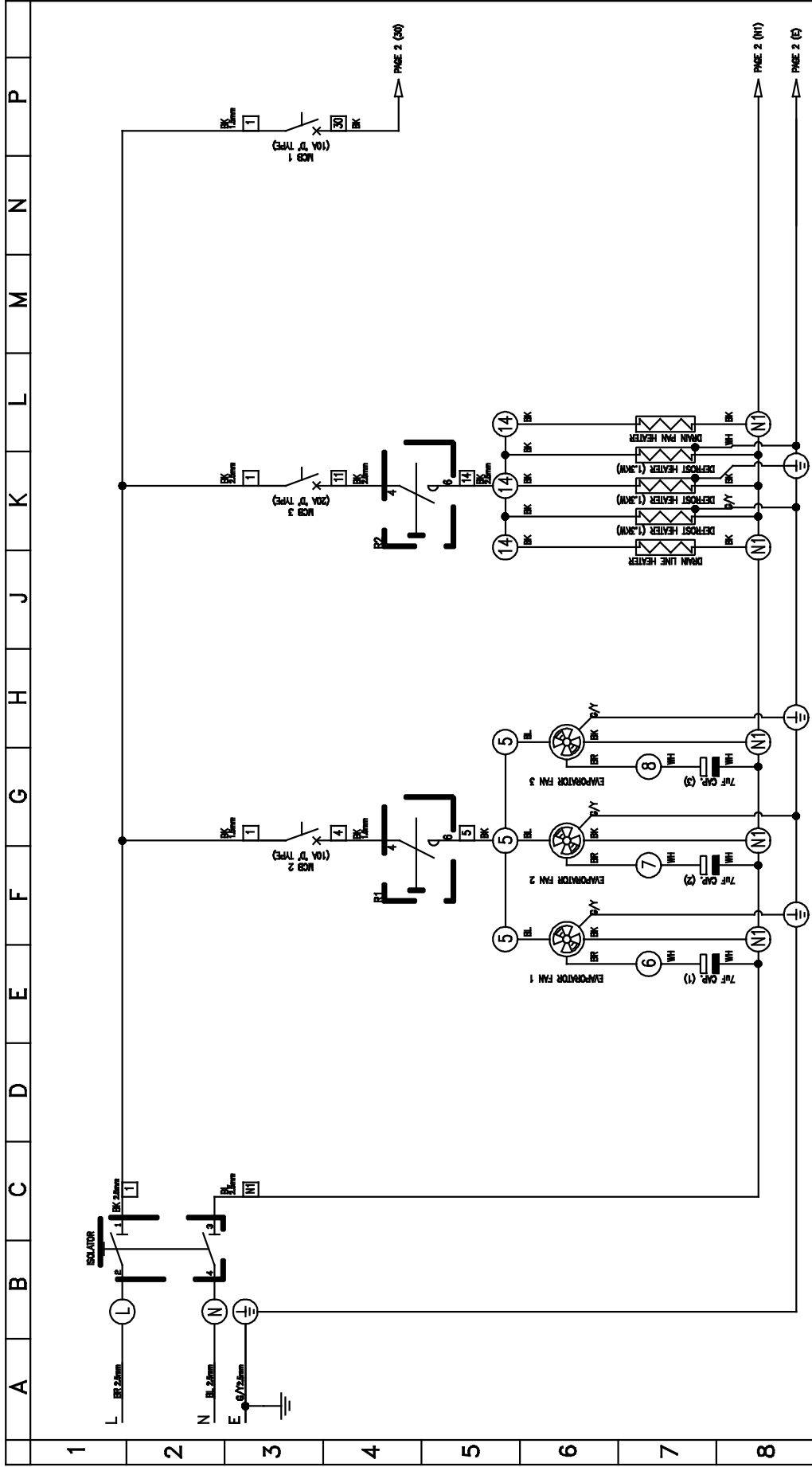
WIRING DIAGRAM
FOSTER MBCT's 75/100/150
BLAST CHILLER MODELS
FRT-11 CONTROLLER VERSION
REMOTE CONFIGURATION

FOSTER
 GARDENHOUT ROAD KING'S LIXON MIDDELSEX TW20 4JY

01-275558-00-02
 SHEET 2 OF 2
 IAD NIS 07/06/12
 01-275558-00-02

CUSTOMER COPY

Anschlussplan – MBCFT75/ MBCFT100/ MBCFT150 (Remote) (1 von 2)



- NOTES:**
- CONTROLLER CONFIGURED FOR ELECTRIC DEFROST.
 - AIR PROBE (T1), EVAPORATOR PROBE (T2) & INSERTION PROBE (T3) 10K-Ω ITC TYPE (SMAK...).
 - OPTIONAL INSERTION PROBES 2 AND 3 (T4 / T5) 10K-Ω ITC TYPE (SMAK...) CONFIGURED IN PARAMETERS.
 - DOOR SWITCH 2 ONLY FITTED ON "ROLL THRU" MODELS. LINK BETWEEN T07 / T08 REMOVED.
 - RS 485 DATA CONNECTION – T02 (M4) TX / T03 (M0) RX. CAPACITY CONTROL OPTION CONFIGURED IN PARAMETERS.
 - DEF. MTR. KILON 1 – OPENS ~20°C / RESETS ~12°C.
 - EMP. SAFETY KILON 1 – OPENS ~60°C / RESETS ~30°C.
 - OPTIONAL MILLION HTR TRANSFORMER SPECIFIC TO APPLICATION.
 - OPTIONAL AMT CONDENSATION HEATER & CONTROL SPECIFIC TO APPLICATION (NATURALLY CHILLED PREM. ROOM ENVIRONMENTS).
 - CABLE NUMBER ①
 - TERMINAL NUMBER ②
 - ALL CABLE LINKING UNLESS OTHERWISE STATED.
 - DEF. MTR. KILON 1 – OPENS ~20°C / RESETS ~12°C.
 - EMP. SAFETY KILON 1 – OPENS ~60°C / RESETS ~30°C.
 - OPTIONAL MILLION HTR TRANSFORMER SPECIFIC TO APPLICATION.
 - OPTIONAL AMT CONDENSATION HEATER & CONTROL SPECIFIC TO APPLICATION (NATURALLY CHILLED PREM. ROOM ENVIRONMENTS).
 - CABLE NUMBER ①
 - TERMINAL NUMBER ②
 - ALL PROJECTING EARTH WIRING TO BE GREEN/YELLOW.
 - CIRCUIT SHOWN DE-ENERGISED.

FOR TERMINAL BLOCK – REFER TO PAGE 2

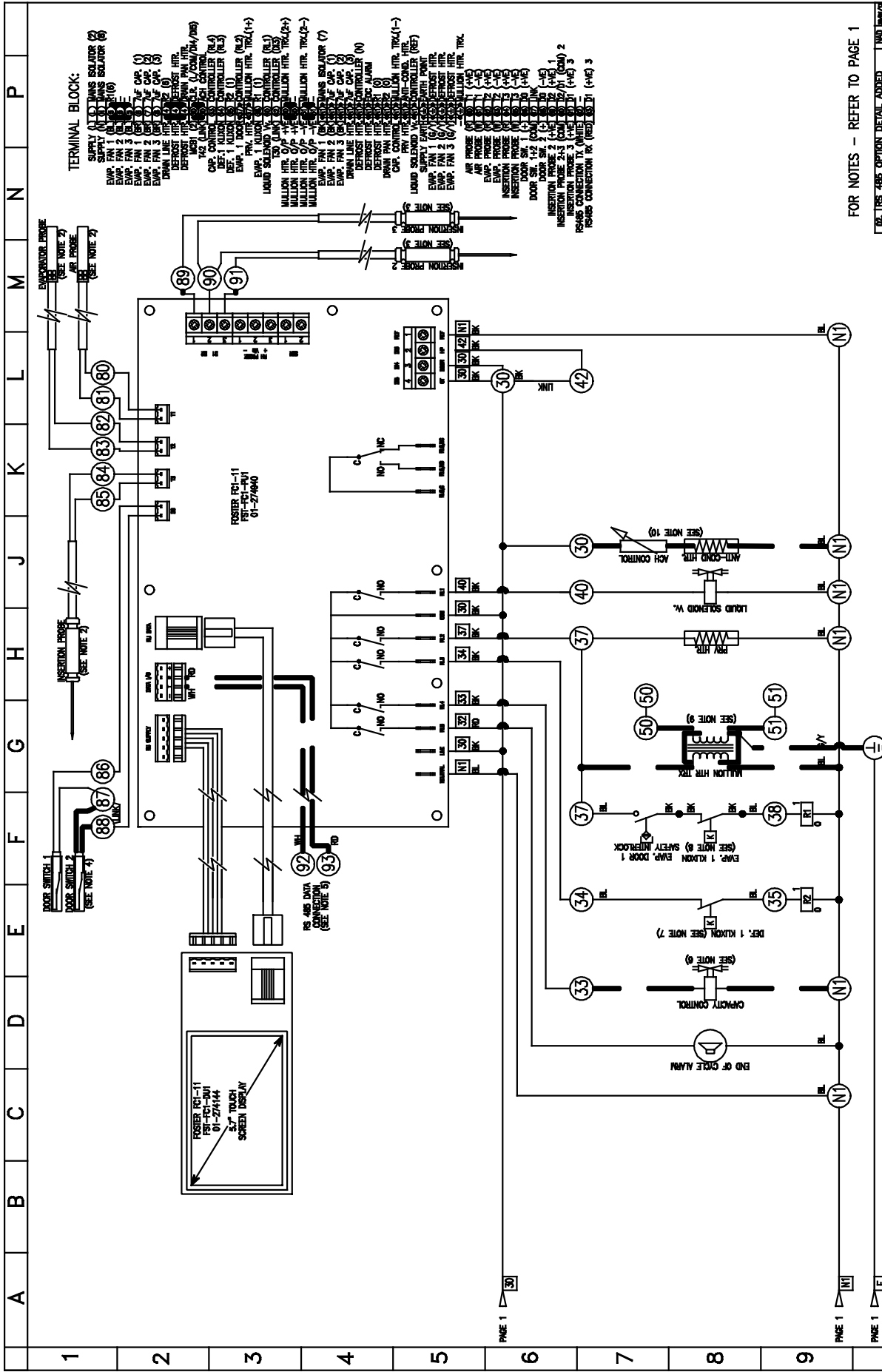
REV.	DESCRIPTION	DATE	BY
02	RS 485 OPTION DETAIL ADDED		

WIRING DIAGRAM
FOSTER REFRIGERATOR (U.K.) LTD
 FOSTER MRCFT's 75/100/150
 BLAST CHILLER / FREEZER MODELS
 FC-11 CONTROLLER VERSION
 REMOTE CONFIGURATION

01-275559-00-02
 SHEET 1 OF 2
 MAD NIS 07/06/12
 CHG BY JIM-4 PWS FOR REV -

FOSTER
 COLMANTON ROAD KING'S LYNN NORFOLK PE30 4JT

CUSTOMER COPY



FOR NOTES - REFER TO PAGE 1

REV	DESCRIPTION	DATE
01	ISS. 485-03 OPTION DETAIL ADDED	

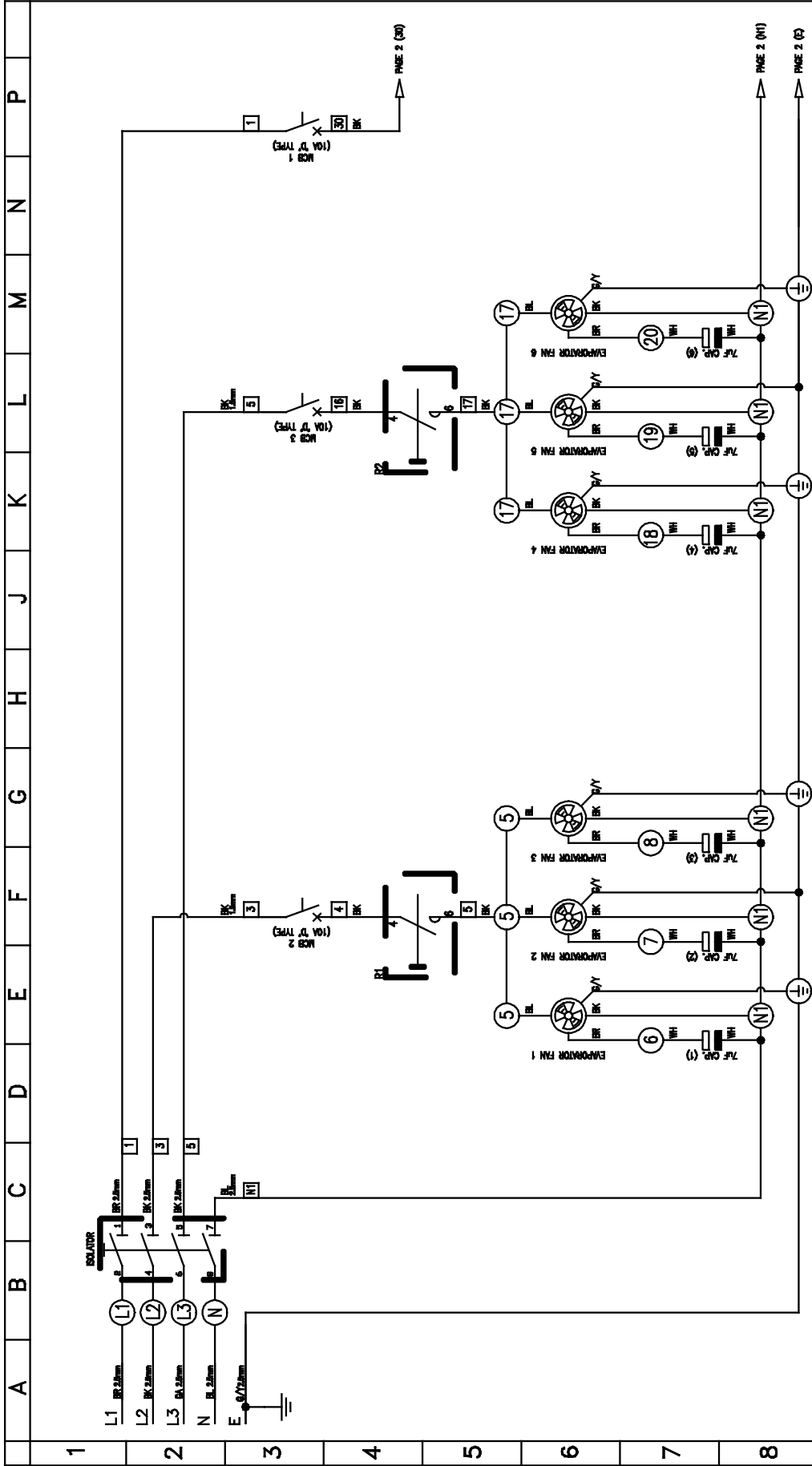
FOSTER
 GUNNEDY ROAD KING'S LYNN NORFOLK PE30 4PT

FOSTER REFRIGERATOR (U.K) LTD
 WIRING DIAGRAM
 FOSTER MBCFT's 75/100/150
 BLAST CHILLER / FREEZER MODELS
 FC1-11 CONTROLLER VERSION
 REMOTE CONFIGURATION

01-275559-00-02
 SHEET 2 OF 2
 IAD MTS 07/06/12
 © 2012 FOSTER REFRIGERATOR LTD

CUSTOMER COPY

Anschlussplan – MBCT250 (Remote) (1 von 2)



NOTES:

1. CONTROLLER CONFIGURED FOR TILED OFF CYCLE DEFROST.
2. PHASE (L1), BLUE WIRE PHASE (L2) & PHASE (L3), GREEN WIRE PHASE (L3) (SW/...).
3. OPTIONAL WIRING TO PHASES 2 AND 3 (SW/...).
4. DOOR SWITCH 2 (ONLY FITTED ON "WALL THRU" MODELS).
5. LINK BETWEEN T87 / T88 REMOVED.
6. RS 485 DATA CONNECTION – T87 (N/A) TX / T88 (N/A) RX / T89 (N/A) RX.
7. EMP. SAFETY MOUNT 1 & 2 – OPENS –60°C / RESETS +35°C.
8. OPTIONAL WIRING WITH TRANSFORMER SPECS TO APPLICATION.
9. OPTIONAL WIRING TO PHASES 2 AND 3 (SW/...).
10. APPLICATION (NORMALLY CALLED PHASE 2 ROOM ENVIRONMENT).
11. CABLE NUMBER: 00.
12. ALL CABLE LINKED UNLESS OTHERWISE STATED.
13. CIRCUIT SHOWN DE-ENERGISED.

14. CABLE COLOUR CODE:
- BL – BLUE
 - BR – BROWN
 - GR – GREEN / YELLOW
 - GY – GREY
 - BLK – BLACK
 - WH – WHITE
 - LD – LIGHT BLUE
 - MD – MODEL DEPENDANT COLOUR
15. ALL PROTECTIVE EARTH WIRING TO BE GREEN/YELLOW.

FOR TERMINAL BLOCK – REFER TO PAGE 2

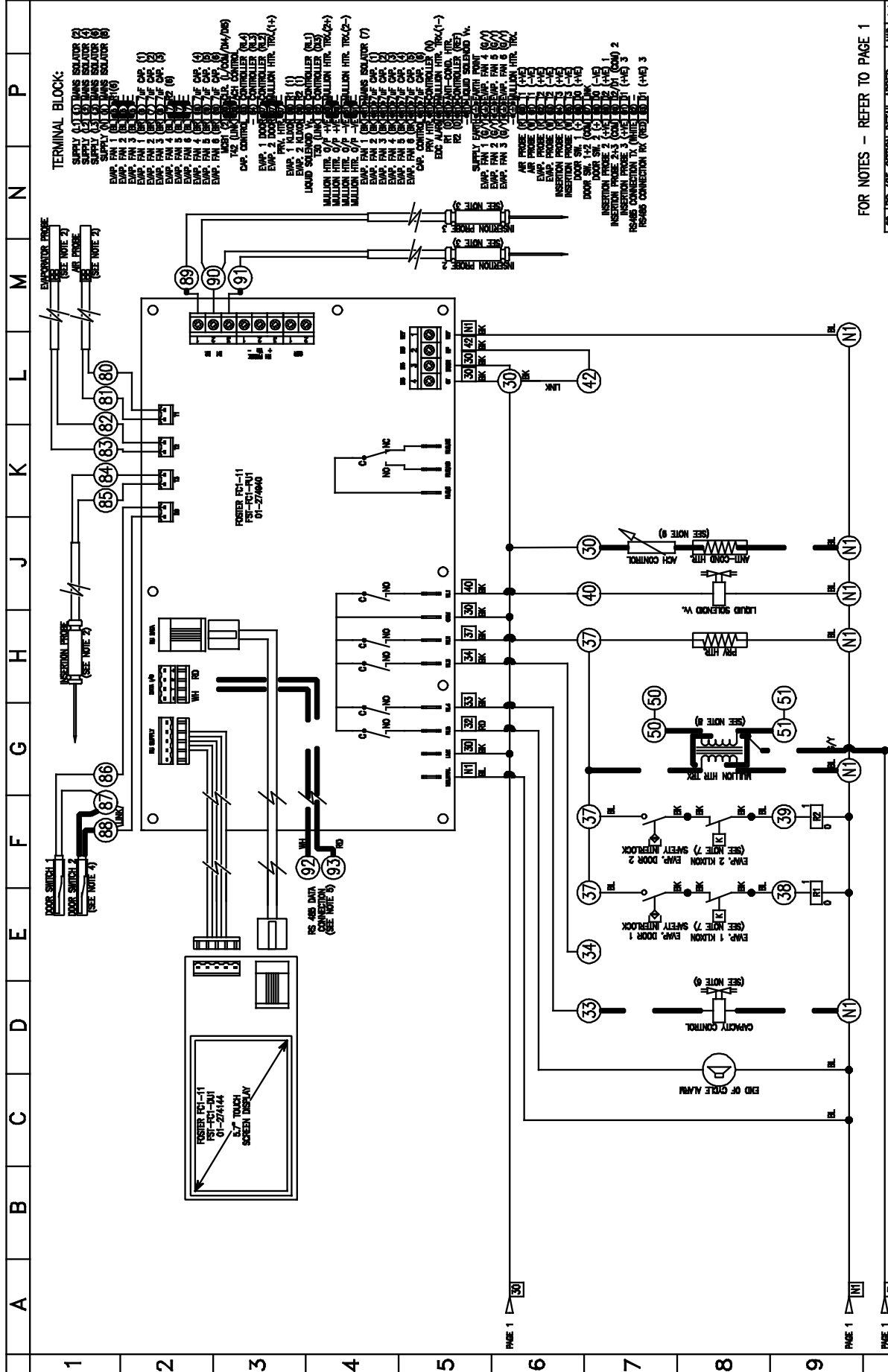
REV	DESCRIPTION	BY	DATE
01	RS 485 OPTION DETAIL ADDED		06/07/12

FOSTER REFRIGERATOR (U.K) LTD
 CHASWOOD ROAD KING'S LYNN NORFOLK PE30 4JY

DRAWING NUMBER FOSTER MECT 250 BLAST CHILLER MODEL	01-275560-00-02 SHEET 1 OF 2 DWG. NO. FNIS 07/06/12 REV. NO. 01
---	--

REMOTE CONFIGURATION

CUSTOMER COPY



- TERMINAL BLOCK:**
- SUPPLY (L) TRANS ISOLATOR (2)
 - SUPPLY (N) TRANS ISOLATOR (4)
 - SUPPLY (E) TRANS ISOLATOR (6)
 - SUPPLY (L) TRANS ISOLATOR (8)
 - SUPPLY (N) TRANS ISOLATOR (10)
 - SUPPLY (E) TRANS ISOLATOR (12)
 - EMV. FAN 1 (1)
 - EMV. FAN 2 (2)
 - EMV. FAN 3 (3)
 - EMV. FAN 4 (4)
 - EMV. FAN 5 (5)
 - EMV. FAN 6 (6)
 - EMV. FAN 7 (7)
 - EMV. FAN 8 (8)
 - EMV. FAN 9 (9)
 - EMV. FAN 10 (10)
 - EMV. FAN 11 (11)
 - EMV. FAN 12 (12)
 - EMV. FAN 13 (13)
 - EMV. FAN 14 (14)
 - EMV. FAN 15 (15)
 - EMV. FAN 16 (16)
 - EMV. FAN 17 (17)
 - EMV. FAN 18 (18)
 - EMV. FAN 19 (19)
 - EMV. FAN 20 (20)
 - EMV. FAN 21 (21)
 - EMV. FAN 22 (22)
 - EMV. FAN 23 (23)
 - EMV. FAN 24 (24)
 - EMV. FAN 25 (25)
 - EMV. FAN 26 (26)
 - EMV. FAN 27 (27)
 - EMV. FAN 28 (28)
 - EMV. FAN 29 (29)
 - EMV. FAN 30 (30)
 - EMV. FAN 31 (31)
 - EMV. FAN 32 (32)
 - EMV. FAN 33 (33)
 - EMV. FAN 34 (34)
 - EMV. FAN 35 (35)
 - EMV. FAN 36 (36)
 - EMV. FAN 37 (37)
 - EMV. FAN 38 (38)
 - EMV. FAN 39 (39)
 - EMV. FAN 40 (40)
 - EMV. FAN 41 (41)
 - EMV. FAN 42 (42)
 - EMV. FAN 43 (43)
 - EMV. FAN 44 (44)
 - EMV. FAN 45 (45)
 - EMV. FAN 46 (46)
 - EMV. FAN 47 (47)
 - EMV. FAN 48 (48)
 - EMV. FAN 49 (49)
 - EMV. FAN 50 (50)
 - EMV. FAN 51 (51)
 - EMV. FAN 52 (52)
 - EMV. FAN 53 (53)
 - EMV. FAN 54 (54)
 - EMV. FAN 55 (55)
 - EMV. FAN 56 (56)
 - EMV. FAN 57 (57)
 - EMV. FAN 58 (58)
 - EMV. FAN 59 (59)
 - EMV. FAN 60 (60)
 - EMV. FAN 61 (61)
 - EMV. FAN 62 (62)
 - EMV. FAN 63 (63)
 - EMV. FAN 64 (64)
 - EMV. FAN 65 (65)
 - EMV. FAN 66 (66)
 - EMV. FAN 67 (67)
 - EMV. FAN 68 (68)
 - EMV. FAN 69 (69)
 - EMV. FAN 70 (70)
 - EMV. FAN 71 (71)
 - EMV. FAN 72 (72)
 - EMV. FAN 73 (73)
 - EMV. FAN 74 (74)
 - EMV. FAN 75 (75)
 - EMV. FAN 76 (76)
 - EMV. FAN 77 (77)
 - EMV. FAN 78 (78)
 - EMV. FAN 79 (79)
 - EMV. FAN 80 (80)
 - EMV. FAN 81 (81)
 - EMV. FAN 82 (82)
 - EMV. FAN 83 (83)
 - EMV. FAN 84 (84)
 - EMV. FAN 85 (85)
 - EMV. FAN 86 (86)
 - EMV. FAN 87 (87)
 - EMV. FAN 88 (88)
 - EMV. FAN 89 (89)
 - EMV. FAN 90 (90)
 - EMV. FAN 91 (91)
 - EMV. FAN 92 (92)
 - EMV. FAN 93 (93)
 - EMV. FAN 94 (94)
 - EMV. FAN 95 (95)
 - EMV. FAN 96 (96)
 - EMV. FAN 97 (97)
 - EMV. FAN 98 (98)
 - EMV. FAN 99 (99)
 - EMV. FAN 100 (100)

FOR NOTES – REFER TO PAGE 1

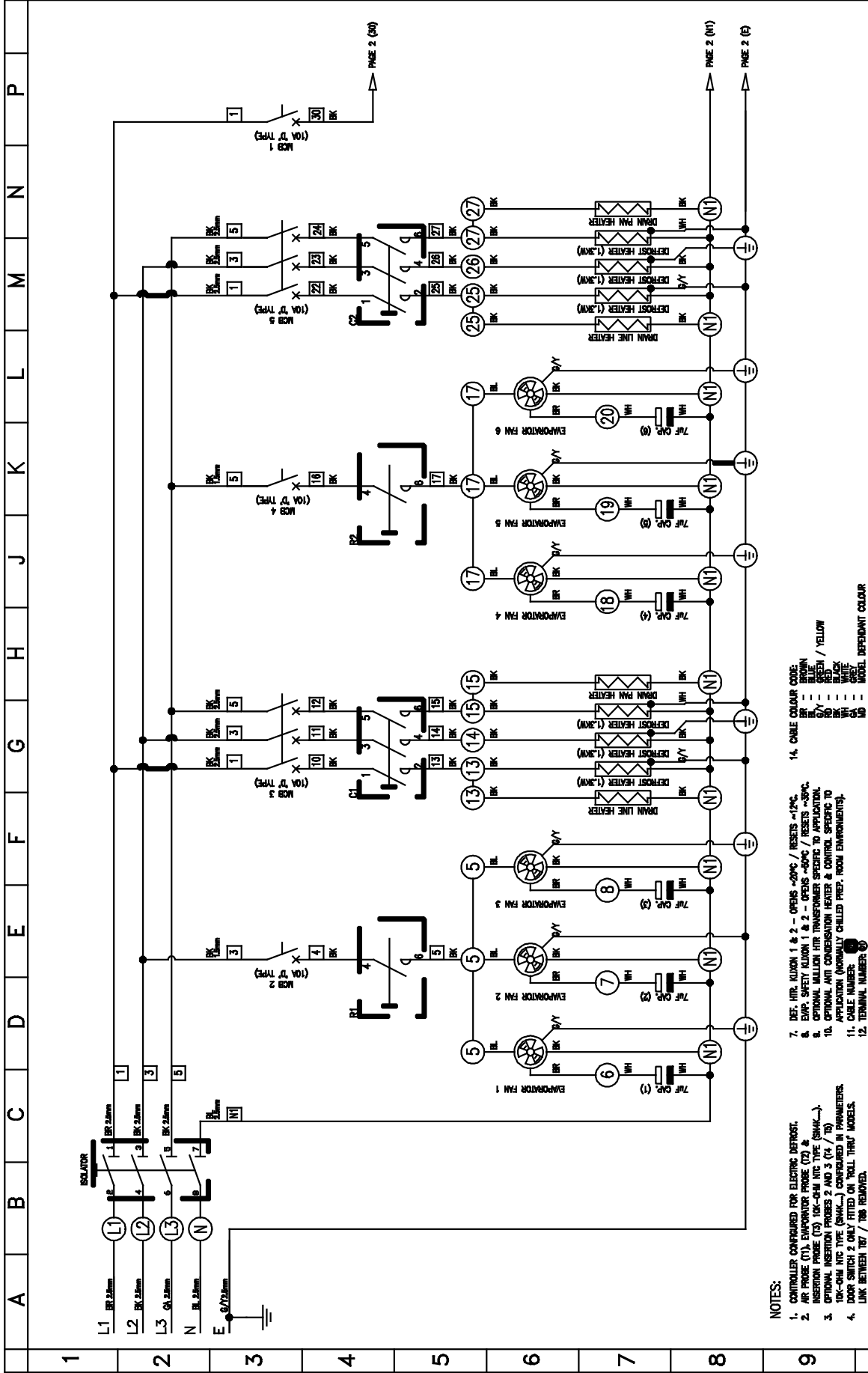
REV.	DESCRIPTION	DATE
02	IRS 2485 OPTION METAL ADDED	19/06/12

WIRING DIAGRAM
FOSTER REFRIGERATOR (U.K.) LTD
 MBCT 250
 BLAST CHILLER MODEL
 RCI-11 CONTROLLER VERSION
 REMOTE CONFIGURATION

CUSTOMER COPY

REV.	DESCRIPTION	DATE
01	275560-00-02	19/06/12
02	275560-00-02	19/06/12

Anschlussplan – MBCFT250 (Remote) (1 von 2)



NO.	REV.	DESCRIPTION	ADD.	BY	DATE
01	27/5561-00-02	WIRING DIAGRAM			
02		FOR TERMINAL BLOCK - REFER TO PAGE 2			
03					
04					
05					
06					
07					
08					
09					
10					

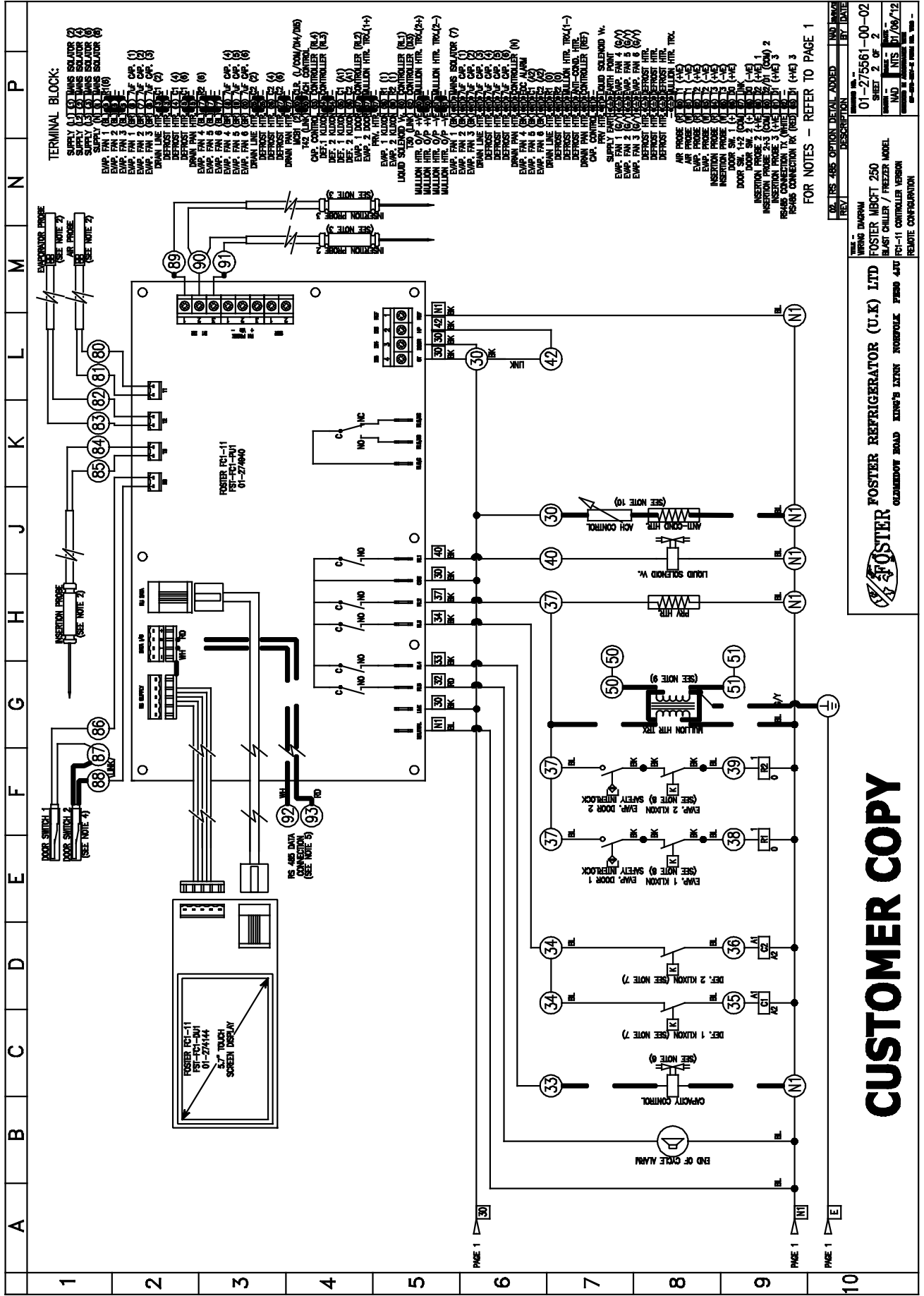
CUSTOMER COPY

FOSTER REFRIGERATOR (U.K) LTD
 GOSWOLD ROAD KING'S LEEK NORSWOLDE LEICESTERShire LE10 4DT
 FOSTER URCFT 250
 BLAST CHILLER / FREEZER MODEL
 FOR-11 CONTROLLER VERSION
 REMOTE CONFIGURATION

- NOTES:
- CONTROLLER CONFIGURED FOR ELECTRIC DEFROST.
 - ARC PROBE (T1), EVAPORATOR PROBE (T2) & INSERTION PROBE (T3) 10K-40K NTC TYPE (5W/100).
 - OPTIONAL INSERTION PROBES 2 AND 3 (T4 / T5) 10K-40K NTC TYPE (5W/100) COVERED IN PARAMETERS.
 - DOOR SWITCH 2 ONLY FITTED ON 'HOLL THRU' MODELS. LINK BETWEEN T67 / T68 REMOVED.
 - RS 485 DATA CONNECTION - T92 (M) TX / T93 (M) RX. CAPACITY CONTROL OPTION CONFIGURED IN PARAMETERS.
 - DEF. HTR. KJXON 1 & 2 - OPENS -20°C / RESETS +12°C.
 - EMV. SAFETY KJXON 1 & 2 - OPENS -80°C / RESETS +35°C.
 - OPTIONAL MALLON HTR TRANSFORMER SPECIFIC TO APPLICATION.
 - OPTIONAL ART CONDENSATION HEATER & CONTROL SPECIFIC TO APPLICATION (NORMALLY CALLED PREP. ROOM ENVIRONMENT).
 - CABLE NUMBER: 10
 - TERMINAL NUMBER: 10
 - ALL CABLE 1.0mm² UNLESS OTHERWISE STATED.
 - ALL PROTECTIVE EARTH WIRING TO BE GREEN/YELLOW.
 - ALL CIRCUIT SHOWN DE-ENERGISED.

14. CABLE COLOUR CODE:
 BRN - BROWN
 BLU - BLUE
 GRN - GREEN / YELLOW
 RED - RED
 WHI - WHITE
 BKY - BLACK
 GRY - GREY
 WHT - WHITE
 YEL - YELLOW
 DEPENDANT COLOUR

FOR TERMINAL BLOCK - REFER TO PAGE 2



CUSTOMER COPY

FOSTER
 GARDENHOF ROAD KING'S LYNN NORFOLK P280 4JH

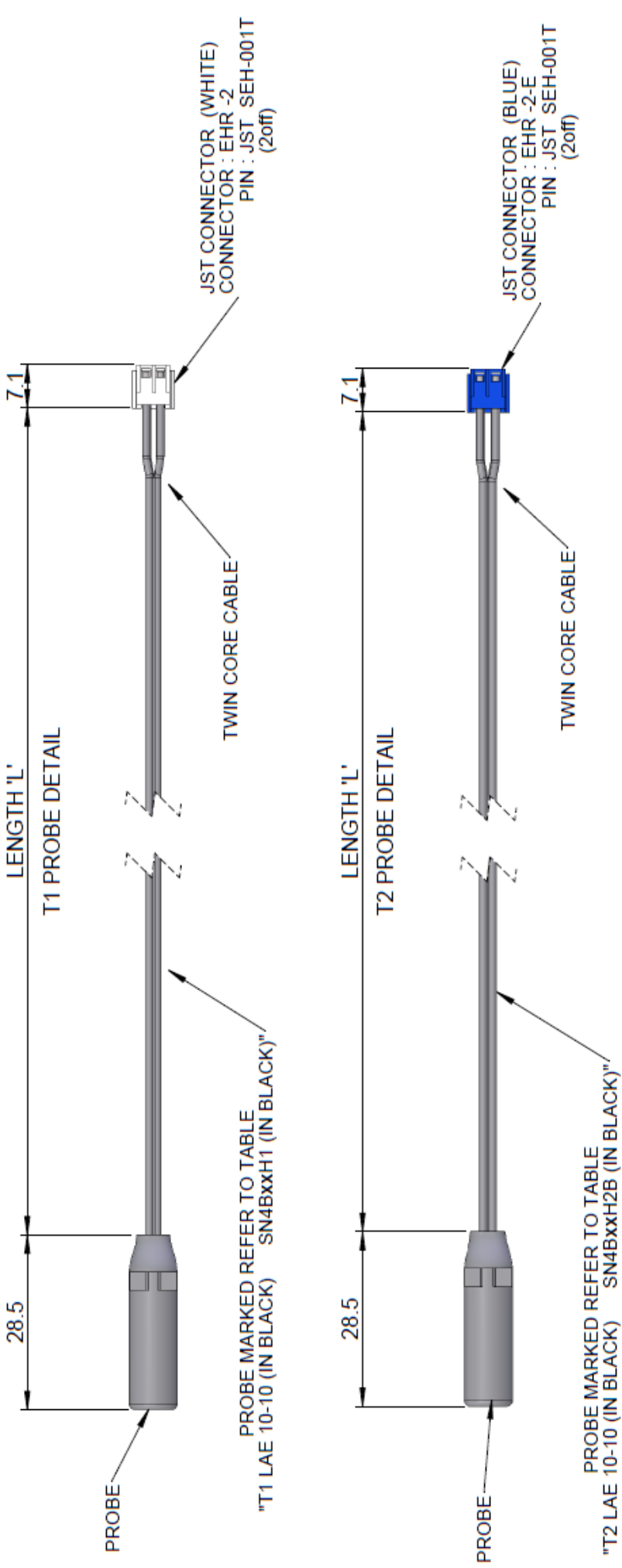
WIRING DIAGRAM
 FOSTER MBCFT 250
 BLAST CHILLER / FREEZER MODEL
 FCI-11 CONTROLLER VERSION
 REMOTE CONFIGURATION

01-275861-00-02
 SHEET 2 OF 2
 IAD NIS 01/09/12

FOR NOTES - REFER TO PAGE 1

NO.	REV.	DESCRIPTION	DATE
02	1	REV. 2485. OPTION DETAIL ADDED	

Luft- und Verdampferprobe Details / Diagramm





Foster European Operations

Frankreich

Foster Refrigerator France SA

Tel.: (33) 01 34 30 22 22. Fax: (33) 01 30 37 68 74.

Email: info@foster-fr.com

Deutschland

Foster Refrigerator Deutschland,

Tel: (49) 781 990 7840. Fax (49) 781 990 7844.

Email: info@foster-gmbh.de

Foster Refrigerator

Oldmedow Road

Kings Lynn

Norfolk

PE30 4JU

Tel: 0843 216 8833

Fax: 0843 216 4707

Webseite: www.fosterrefrigerator.co.uk

Email: support@foster-uk.com

ein Geschäftsbereich von 'ITW (UK) Ltd'

BC/F/MBC/F FC1-11/WDSM0 10/13 D