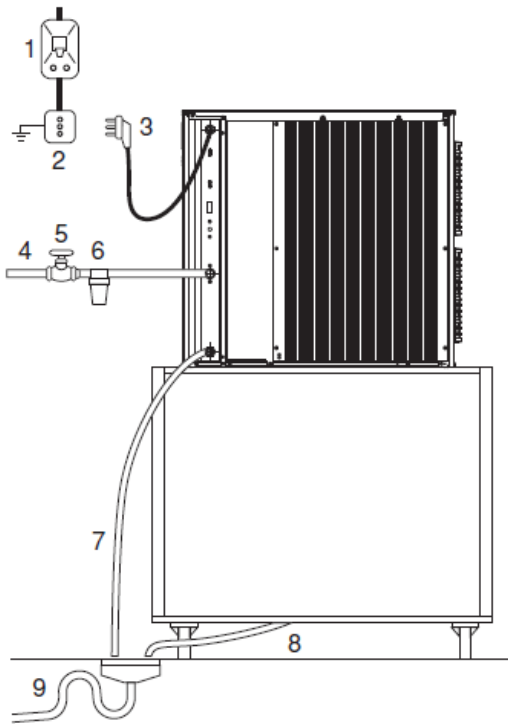


F132 Ice Machine Plumbing and Dimensions Information



Air Cooled



Index

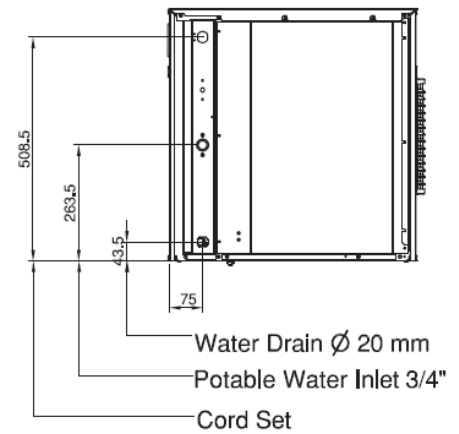
1. Mains Trip
2. Mains Socket
3. Unit Mains Plug
4. Water Inlet
5. Shut-off Valve
6. Water Filter (If applicable)
7. Waste Water Outlet Line
8. Bin Waste Outlet Line
9. Water Drain (Open Vented)

Dimensions

Water Drain (20mm \varnothing) to Units base – 43.5mm
 Water Inlet (3/4") to Units base – 263.5mm
 Mains Plug/Lead connection to unit to Units base – 508.5mm

Water Drain to Floor (Including SB100 Bin) – 1103.5mm
 Water Inlet to Floor (Including SB100 Bin) – 1323.5mm

All outlets are positioned 75mm from the side of the machine at the rear of the unit (opposite side of the air filter).



Unit & Individual Bin Dimensions

