

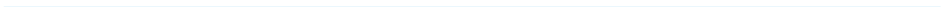


The Refrigeration Experts

User Manual

Prep Station

PS1000HR, PS1400HR



Four Steps

to extend the life of your appliance

1

Getting to know your new Foster appliance



2

Installation



3

Using the appliance



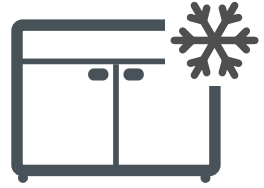
4

Maintenance



1

Getting to know your new Foster appliance



These instructions should be retained and made readily accessible by personnel using the appliance. The instructions should be read thoroughly prior to appliance installation. Failing to follow the advice contained in this manual may result in damage to the appliance and personal injury to the operator.

All installations **must** conform to local and municipal regulations and directives. In case of doubt contact your Foster authorised distributor or the Foster Technical Department. The information contained in this manual is current at the time of publication and is subject to change without notice.



CAREFUL – DANGER

Ignoring this sign and remarks may result in personal danger.



CAREFUL – DANGER

Ignoring this sign and remarks may result in damage to your appliance.



INFORMATION

Useful hints to make the best use of your appliance.

Climate Class

Climate class indicated on the serial plate shows the ambient temperature & humidity at which this appliance has been tested, for the purposes of establishing values in line with European standards.

Climate Class	Temperature	Relative humidity
4	30°C	55%
5	40°C	40%

Electrical Safety

This equipment shall be connected to an electrical supply protected by a Residual Current Device (RCD). This may include a residual current circuit breaker (RCCB) type socket, or through a Residual Current Circuit Breaker with overload protection (RCBO) supplied circuit.

Should it be necessary to replace the fuse, the replacement fuse must be of the value stated on the serial label for the appliance.

General Safety

- Do not store explosive substances such as aerosol cans with a flammable propellant in this appliance.
- Keep all ventilation openings in the appliance or in the structure of a built in unit clear of any obstructions.
- Do not use electrical appliances inside the storage compartment.
- Do not use steam cleaners, pressure washers or other jets/sprays of water on or around the appliance.
- The appliance is air tight when the door is closed therefore under no circumstances should any living body be stored or 'locked in' the appliance.
- This appliance is heavy. When moving the appliance care should be taken and correct safe practices followed. The appliance should not be moved over uneven surfaces.
- The emitted sound level of this appliance is not greater than 70dB(A).
- To ensure stability the appliance should be located on a flat, level surface, correctly loaded.
- The worktop should not be sat or stood on.
- Care should be taken not to damage the refrigeration circuit and/or system.
- If the supply cord is damaged, it must be replaced by the manufacturer, it's service agent or similarly qualified persons in order to avoid hazards.
- Care should be taken to avoid prolonged contact with cold surfaces with unprotected body parts, correct PPE to be used at all time.

Disposal Requirements

This appliance contains components and materials which can be harmful to the environment if not disposed of correctly. Disposal of this appliance should be carried out by a suitably licensed waste contractor in accordance with national laws and regulations which may be in force at the time.



2

Installation



Removal of packaging

Prior to carrying out this operation please ensure that these instructions have been read, understood and that the necessary personnel and tools are available to ensure compliance with the instructions.

Tools required:

- A sharp retractable knife or scissors
- Pliers or cutters suitable to cut hard plastic



The PS1000HR weighs up to 130kg when empty and require at least 2 people to carry out these instructions. The PS1400HR weighs up to 180kg when empty and require at least 4 people to carry out these instructions.



Never lift more weight than you are comfortable with. Any lifting should be carried out using correct lifting techniques.



Never stand directly in line or under the appliance when it is leaning at an angle while carrying out these instructions.

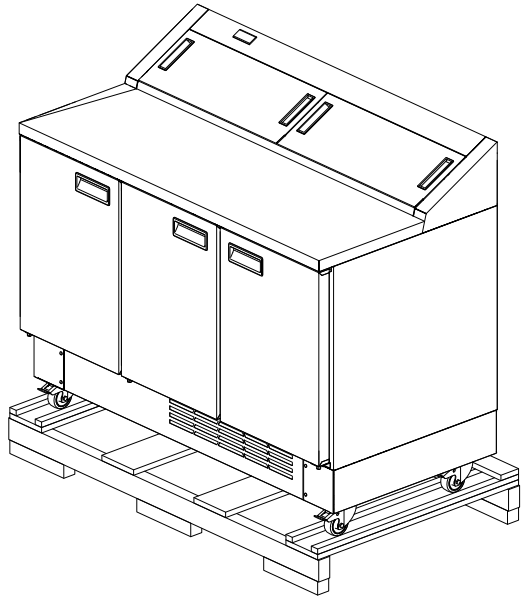


Care should be taken when manoeuvring uneven or sloping surfaces. Do not manoeuvre the appliance without assistance.

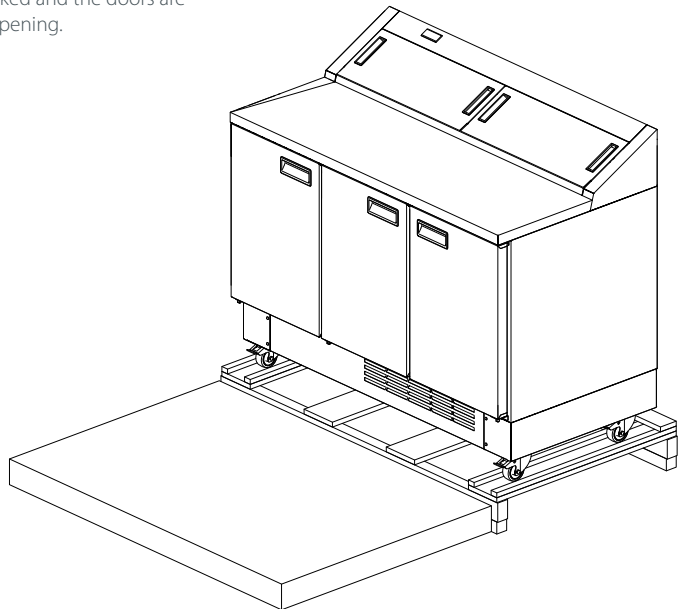


It is recommended that gloves are worn when carrying out these instructions.

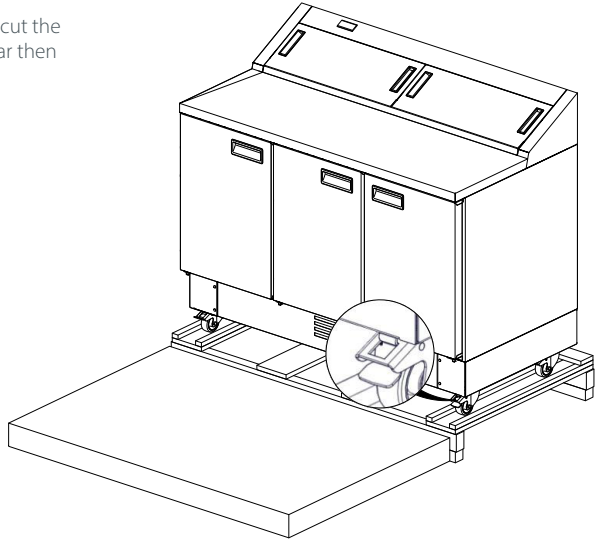
- 1 Remove outer plastic and cardboard. Take care not to damage the appliance with any sharp objects used to remove the packaging.
- 2 Position the pallet against a flat surface of a similar height to the pallet.



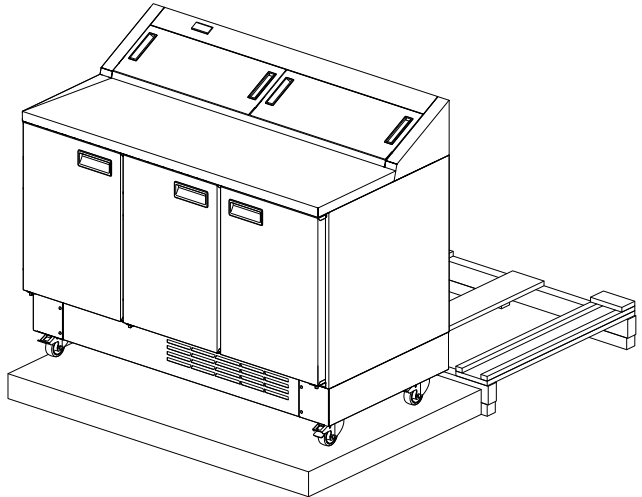
- 3 Ensure that castors are locked and the doors are taped closed to prevent opening.



- 4 Support the appliance on the front, cut the support straps on both sides and rear then unlock the castors.




- 5 Carefully slide the appliance off the pallet onto the adjacent level surface.





- 6 If the appliance is not being moved straight to its final location lock the castors once more.
- 7 Ensure that all packaging is disposed of in an appropriate way in accordance with any local regulations for waste disposal.


Start-Up and Test Sequence

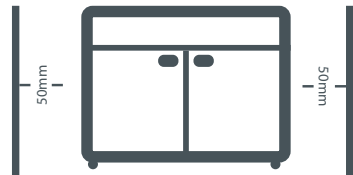
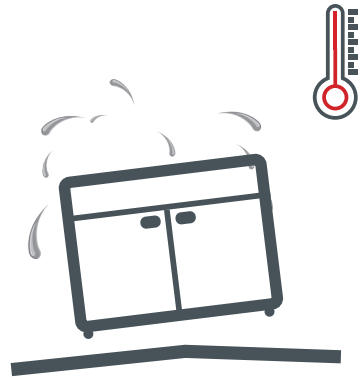
After unpacking, clean (cleaning directions supplied within this manual) and allow the appliance to stand for 60 minutes before turning on.


 Ensure the appliance is situated on a firm, level surface, away from both hot and cold air sources, as this will affect its performance.

 Place the appliance in a location so as not to exceed the maximum rated ambient temperature.

 The appliance produces warm air when operating normally and requires adequate ventilation. The dimensions indicated are a minimum.

 Connect the appliance to a suitable power supply. Do not connect or disconnect the appliance with wet hands. The appliance will turn on automatically displaying the actual internal temperature of the appliance. If the display shows 'oFF' press and hold button 4 for 4 seconds to turn on the appliance.



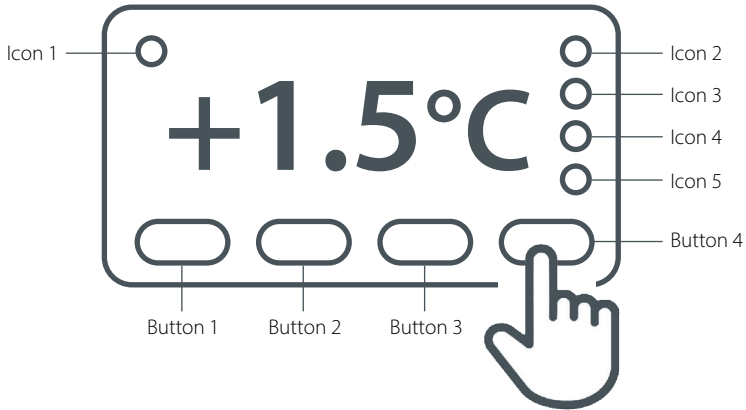
 As the operating temperature has been pre-set no adjustments are required. Allow the cabinet to reach its normal operating temperature before loading with appliance.

3

Using the appliance



Display Icons and Buttons



Icon		Button	
1	Alarm Warning	1	Info & Set Point
2	Thermostat Output Active	2	Manual Defrost & Decrease Value
3	Fan Output Active	3	Increase Value
4	Defrost Output Active	4	Standby/Exit
5	2nd Parameter Set Active		

Standby

Pressing button 4 for 3 seconds will turn the unit on or into standby. When in standby, the display will show 'oFF'. When operating normally, the display will show the internal temperature.

Set Point

To display the appliance Set Point, with the display showing the temperature, press and hold button 1.

To amend the Set Point press and hold button 1, then while keeping button 1 pressed use buttons 2 and 3 to set the desired value.

If the Set Point cannot be adjusted to the value required please contact your authorised Foster dealer for advice

When button 1 is released the new value will be stored automatically.

Keypad Security Settings

We advise that this function is used to prevent unauthorised adjustment of the appliance and it's operating temperature.

Press and release button 1 until the display shows 'Loc'. Then press and hold button 1 to show the current lock condition of the temperature controller. 'Yes' indicates locked, 'no' indicates unlocked. Using buttons 2 or 3 change the display to either lock or unlock the controller as required.

Release button 1 and wait 10 seconds or press button 4 once to resume normal operation.

Defrost

The appliance has an automatic defrost function and will defrost periodically each day without any user intervention. This process is normal and does not affect product stored in the appliance. During defrost the appliance can be used as normal.



Shelves, Supports, Loading and Air Flow

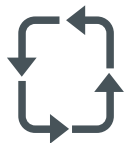
The appliance is supplied with adjustable, removable shelf clips and shelves.

Each shelf is capable of holding up to 40kg of product evenly distributed.

Do not block air vents with product. A minimum of 25mm should be maintained between the top of the product and the shelf above.

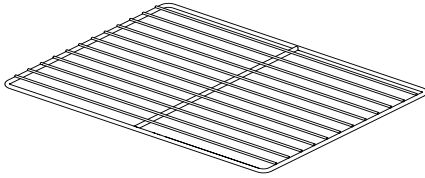
Do not place product on the base of the appliance. If it is required to store product on the base of the appliance please contact the Foster parts team to purchase the necessary shelf and spacers.

Always ensure air can circulate around/through the stored product. It is important that for optimum energy and temperature performance that adequate airflow is maintained around the perimeter of the shelves, and around all stored products.

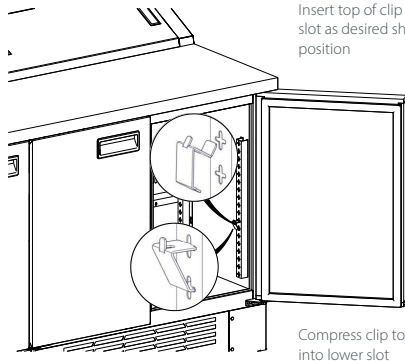
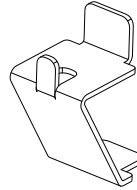


Shelf fitting

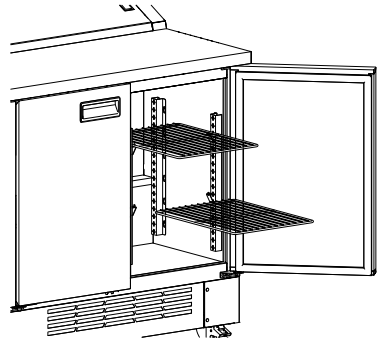
PS1000HR X 4
PS1400HR X 6



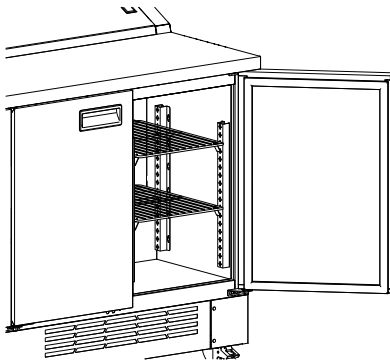
PS1000HR X 16
PS1400HR X 24



Insert top of clip into slot as desired shelf position

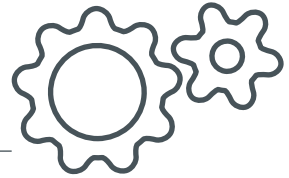


Compress clip to insert into lower slot



4

Maintenance



Cleaning and Maintenance

IMPORTANT: This appliance is heavy. When moving the appliance care should be taken and correct safe practices followed. Prior to cleaning ensure that the correct PPE is available and utilised and that the appliance is switched off and disconnected from the power supply. Do not disconnect or connect the appliance from the power supply with wet hands. Following cleaning, only when the appliance is dry should the appliance be reconnected to the power supply and switched on.



Cleaning should be carried out periodically as required depending on application.

Switch off the appliance, disconnect from the power supply and remove all products, racking and shelves. Care should be taken with the racking and shelves being inspected for any signs of damage resulting in sharp edges and ensure that body parts do not come into contact with cold surfaces.

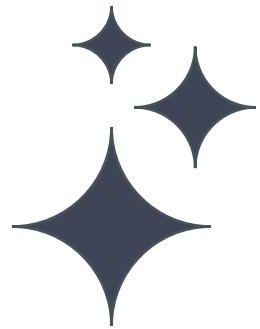
When cleaning a freezer it is recommended that the internal temperature is allowed to increase to above freezing prior to cleaning.

Wash all internal and external surfaces with a mild liquid detergent diluted as per the manufacturer's instructions. Rinse surfaces with clean water and dry thoroughly.

Never use wire wool, other abrasive substances, cleaning agents with a high acid or alkaline content (e.g. bleach acid or chlorine) or similar products as they can damage the appliance.

When the appliance has been cleaned and dried, refit the racking and shelves.

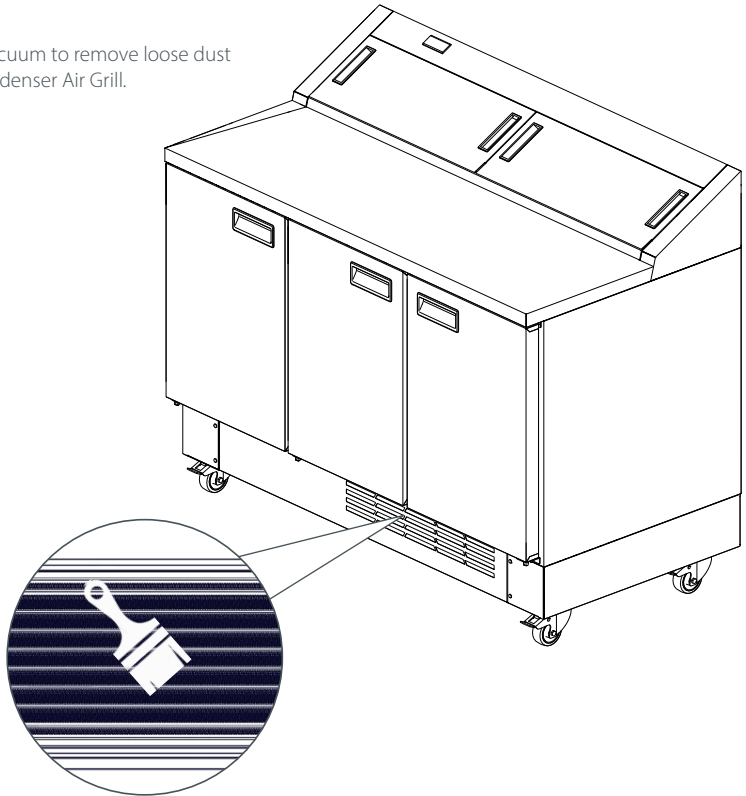
Re-connect the appliance to the power supply adhering to the previous guidelines above. Switch the appliance on and allow it to reach it's normal operating temperature before re-loading product.



Cleaning

Condenser Air Grill

Use a soft brush or vacuum to remove loose dust and dirt from the Condenser Air Grill.



Condenser

Regular cleaning of the condenser (located behind the Condenser Air Grill) increases energy efficiency and prolongs the life of your appliance.

Never use a wire brush, abrasive or corrosive materials to clean the condenser. This should be carried out periodically, by a competent engineer as outlined in the Regular Maintenance section of this manual.

Gasket

All door gaskets should be inspected on a regular basis and replaced as necessary if damaged. To clean, wipe with a warm damp soapy cloth followed by a clean damp cloth. Finally thoroughly dry.

Shelves

The shelves in the appliance can be removed for cleaning. The shelves are dishwasher safe however the vertical supports should be cleaned with warm soapy water then rinsed and dried.

Regular Maintenance

Where the regular cleaning regime previously described does not remove dirt or grease deposits from the condenser, it should be cleaned by a competent engineer. We recommend that an engineer services the appliance every 6 to 12 months to maintain your warranty and ensure optimal performance of your appliance. We recommend that service is carried out by an authorised Foster agent or by contacting the Foster Service team using the contact details in this manual.

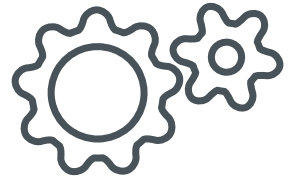


6-12 MONTHS

Troubleshooting

Alarms/Warnings:

During operation the current temperature inside the appliance will be displayed. At certain times this will change to indicate a particular appliance operation or fault. The indicators you may see are as follows:



dEF - Defrost in progress. This is normal and your appliance will carry out a defrost periodically through each 24 hours. The contents of the appliance will be unaffected by this operation.

oFF - The appliance is switched off in standby. Turn the appliance back on to resume temperature control.

hi - The internal temperature of the appliance is higher than it should be. Ensure that the door is closed and that the air flow inside is not obstructed by excessive or poor loading of product. The alarm will reset if the temperature falls to a normal level. If this does not happen please contact your authorised dealer or Foster Service.

E1 - This indicates that the internal temperature probe has failed. Call your authorised dealer or Foster Service to arrange for this to be replaced. During this time the appliance cannot maintain an accurate temperature and all product should be removed and the appliance switched off.

(Some indications are only visible periodically during specific appliance operations such as defrost or when activated through use of the appliance).

Before calling your supplier please make sure that:

Problem	Check	Solution
The appliance is not functioning	Is the appliance plugged in and the socket switched on?	If the appliance is plugged in check that the socket is 'live' by plugging another appliance in to see if that works.
	Has the fuse blown?	Check the fuse and if necessary change it for a new one
The appliance is not cooling or it is not reaching the required temperature	Is the appliance switched on?	Check that the temperature is displayed. If the display shows 'oFF' switch on the appliance as it is in standby
	Is the condenser blocked or dirty?	Inspect and clean the condenser if necessary as described in this manual
	Is the appliance positioned close to a heat source?	Is the heat source affecting the performance of the appliance. If possible move the appliance away from the heat source.
	Is the appliance loaded correctly?	Check the loading of the product contained in the appliance is in accordance with the guidelines in this manual
There is something other than the temperature displayed on the controller	Is the display showing one of the alarms/warnings above?	The display may show indications shown in the 'Alarms and Warnings' section of these instructions. For anything else contact your authorised dealer or Foster Service.

If the reason for the malfunction cannot be identified, disconnect the electrical supply from the unit and contact your authorised dealer or Foster Service. When requesting a service call, please quote the model and serial number which can be found on the inside of the appliance on the right hand wall and begins with 'E'.

Notes

Notes

Notes



By Appointment to
Her Majesty Queen Elizabeth II
Suppliers of Commercial Refrigeration
Foster Refrigerator, King's Lynn



The Refrigeration Experts

For more information:

+44 (0) 1553 698485

regional@foster-gamko.com

fosterrefrigerator.com

For service and spares:

For service +44 (0) 1553 780333

service@foster-gamko.com

For parts +44 (0) 1553 780300

parts@foster-gamko.com

Document ID code: 00-570490 v2

Original Instructions